



PANEL XL



544W Full Spectrum RGBWLC LED Soft Light

DATA SHEET



KEY FEATURES

- 544W RGBWLC (Red, Green, Blue, White, Lime, Cyan) LED Array
- CRI 95, CCT Adjustment from 2,000 to 10,000K
- 44,000 Total Lumen Fixture Output
- 4x2 Section control option
- Internal Power Supply with Power Pass-Through
- 24-36 VDC Battery Operation (battery not included)
- DMX/RDM, Art-Net and sACN Protocol Support
- E-FLY™ Internal Extended Range Wireless DMX Transceiver
- Stand-Alone Control with 3 Encoders and OLED Display
- Barn Doors, Diffuser, and Junior Pin (1 1/8" - 28mm) included

The **KL PANEL XL™** is a full-color-spectrum LED soft light that provides high output, precise color temperature control, full spectrum color rendering and even wash coverage. Optimized for the tunable white light requirements of Film and Television, it is an ideal key and fill light source for many situations requiring outstanding performance and color quality.

The **KL PANEL XL** incorporates a highly efficient 6-in-1 LED package that produces up to 44,000 lumens at a 100° half-peak angle. The optional 4x2 Section control provides additional creative capabilities for color effects and visual impact.

Compact and portable, the fixture can be mounted on a stand or suspended using any standard clamp or the included Junior pin adapter. A rugged housing with impact resistant surrounds and base plate ensures the **KL PANEL XL** can handle the rough handling on today's fast paced sets.

It is fully self-contained without the need for an external power supply. It can also be remotely powered thru its integrated 4-pin XLR 24-36 VDC battery input. The **KL PANEL XL** can be operated through industry standard DMX, Art-NET or sACN protocols. In addition, it can also be adjusted manually using the included encoders and OLED display, providing instant control of Intensity, Color temperature, Green shift and other important settings. The display and encoders are conveniently positioned on the bottom of the fixture to ensure easy access while the **KL PANEL XL** is mounted on a stand. The integration of Elation's E-FLY™ wireless system allows for even more flexibility of use.



Specifications are subject to change without notice ©Elation Professional 06/07/2023

Elation Professional USA | 6122 S. Eastern Ave. | Los Angeles, CA. 90040
323-582-3322 | 323-832-9142 fax | www.elationlighting.com | info@elationlighting.com

Elation Professional B.V. | Junostraat 2 | 6468 EW Kerkrade, The Netherlands
+31 45 546 85 66 | +31 45 546 85 96 fax | www.elationlighting.eu | info@elationlighting.eu



PANEL XL



544W Full Spectrum RGBWLC LED Soft Light

SPECIFICATIONS

SOURCE

6-in-1 (Red, Green, Blue, White, Lime, Cyan)
 Full Spectrum LED Array
 50,000 Hour Average LED Life*
 *Test lab conditions. May vary depending on several factors including but not limited to:
 Environmental Conditions, Power/Voltage, Usage Patterns (On-Off Cycling), Control, and Dimming.

PHOTOMETRIC DATA

up to 44,000 Total Lumen Output
 Diffuser
 Beam Angle 101°
 Field Angle 159.4°
 Without Diffuser
 Beam Angle 111°
 Field Angle 155.4°

EFFECTS

Variable CCT 2000K - 10000K
 Green-Shift Adjustment
 4x2 Section Control
 Virtual Gel Library
 Variable 16-bit Dimming Curve Modes
 High Speed Electronic Shutter and Strobe
 Remote Adjustable LED Refresh Rate
 Frequency
 (900-25kHz)

CONTROL / CONNECTIONS

12 DMX Channel Modes (1-96 Ch.)
 1 or 8 cell control sections
 3 Manual Adjustment Encoders
 4 Button Control Panel and OLED Menu Display
 DMX, RDM, Art-NET, sACN Protocol Support
 E-FLY™ Internal Extended Range Wireless DMX Transceiver
 Locking 5pin XLR Connector In/Out
 Locking 3pin XLR Connector In/Out
 Locking IP65 Power Connector In/Out
 USB Connection (Firmware Updates, External 5V power for accessories)
 4pin XLR External Battery Connection (battery not included)

SIZE / WEIGHT

Length: 33.8" (858.0mm)
 Width: 6.1" (155.5mm)
 Height: 12.1" (306.3mm)
 Height (with yoke): 16.8" (426.8mm)
 Weight: 37.9 lbs. (17.2 kg)
 Weight: (Junior Pin) 1.02 lbs. (0.46 kg)

ELECTRICAL / THERMAL

AC 100-240V - 50/60Hz
 24-36 VDC (battery operation - battery not included)
 Max Power Consumption 544W
 14°F to 113°F (-10°C to 45°C)

APPROVALS / RATINGS

CE | cETLus | IP20 | UKCA





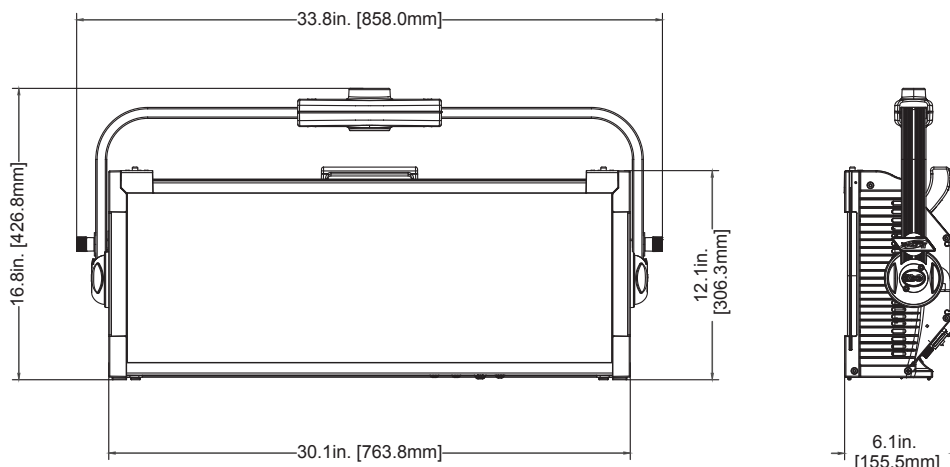
PANEL XL



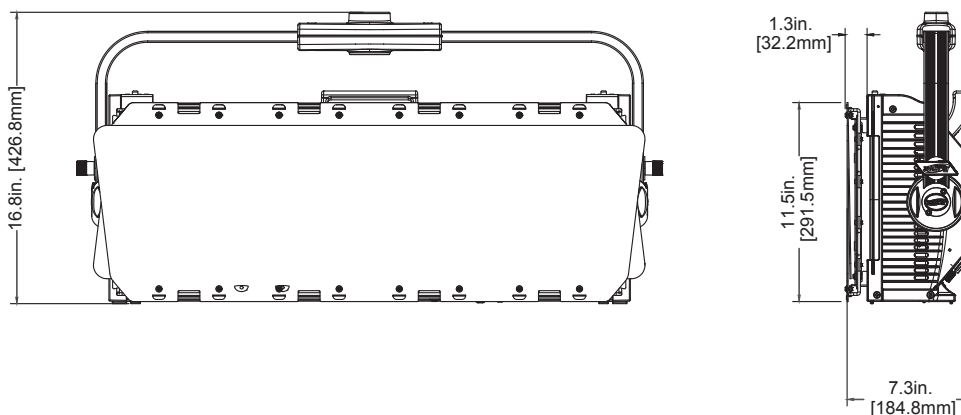
544W Full Spectrum RGBWLC LED Soft Light

UNIT DIMENSIONS

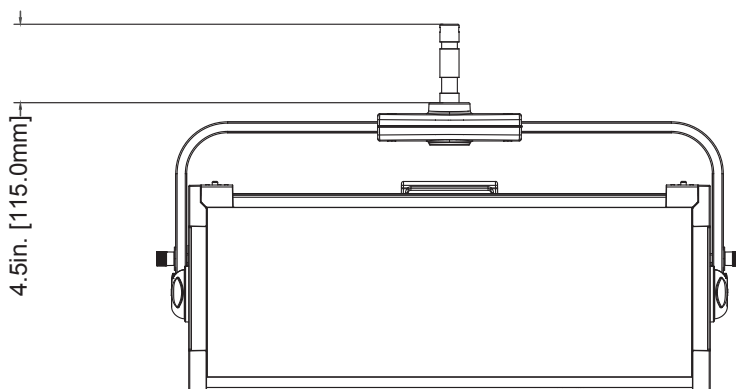
FIXTURE ONLY



BARNDOOR INSTALLED



JUNIOR PIN INSTALLED





PANEL XL



544W Full Spectrum RGBWLC LED Soft Light

ORDERING INFORMATION

KLP103	KL Panel XL (US SKU)
1237000254	KL Panel XL (EU SKU)
KLP972	KL Panel XL Intensifier Lens
KLP637	KL Panel 40° Snap Grid
KLP651	KL Panel Snap Bag

