

## B.SHOW mini FC



- RGBL LED Engine
- Battery Powered
- App Control / Wireless DMX
- IP65 In / Outdoor

With the SHOW mini series, ROXX® continues to meet the demand for very powerful, weatherproof lighting for the entertainment and architectural sectors and offers a battery version as an important innovation. The flexibility and variety of options previously offered by its bigger brother E.SHOW in terms of light quality, size and accessories is now even more pronounced thanks to the completely wireless application option, offering customers that certain extra freedom of choice. Thanks to the new B.SHOW mini, you can say goodbye to tangled cables for ultimate flexibility without compromise. The powerful lithium-ion battery ensures reliable operation and a runtime of up to 24 hours. The integrated battery management system protects against deep discharge and overcharging. The integrated CRMX transceiver module offers the latest wireless technology from Lumenradio, and the headlamp can also be conveniently controlled via Bluetooth using the ROXX.APP. The ROXX® B.SHOW mini series uses the already popular single-source LEDs that produce a very uniform, powerful light without colour or multi-shadows, and LED variants including a Tunable White (RGBALC) and a Full Colour (RGB+Lime) version. Both circular and elliptical emitting Micro Fresnel lenses can be changed easily, quickly and without tools, as usual, thanks to the specially developed and protected ROXX® R.LOK® technology. The beam angle can thus be conveniently adjusted, whether 14°, 23°, 35°, 52° or elliptical 30° x 15° and 46° x 17.5°.



### Accessories



Lenses



Safety Free Accessory Holder



8-Way Barndoor



Honey Comb



Omega Bracket ST



Full Anti Glare Shield

### Apps



## Technical Data

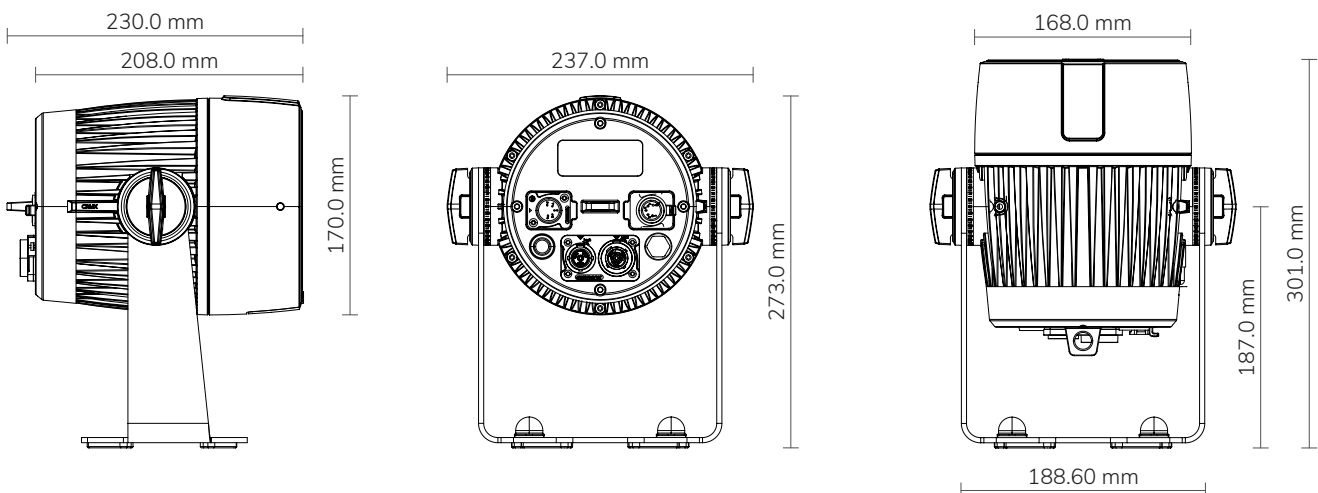
Photometrics	
LED expected lifetime	50.000 hours
Lightsource	1x60W RGLB
Type of optical system	reflector + interchangeable lens plates
LED PWM Frequency	selectable 800Hz, 1.200Hz, 2.000Hz, 3.600Hz, 12kHz, 25kHz
Beam angles (50%)	14° (with VN lens)
	23° (with N lens)
	35° (with M lens)
	52° (with W lens)
	30° x 15° (with EN lens)
	46° x 17,5° (with EW lens)
Maximum Field angles (10%)	25° (with VN lens)
	43° (with N lens)
	69° (with M lens)
	86° (with W lens)
	58° x 34° (with EN lens)
	73,5° x 40° (with EW lens)
Color temperature range	2.000-10.000K
CRI/Ra	80
Efficacy (max)	43,56 lm/W
Luminous flux	2.831 lm
illuminance Lux @ 3m (with VN lens)	2710lx
illuminance Lux @ 3m (with N lens)	1550lx
illuminance Lux @ 3m (with M lens)	550lx
illuminance Lux @ 3m (with W lens)	305lx
illuminance Lux @ 3m (with EN lens)	930lx
illuminance Lux @ 3m (with EW lens)	640lx
illuminance Lux @ 3m (with EW lens)	736lx
Dimensions & Weight	
IP class	IP65
Body material	Aluminum, Nylon
Lens material	Tempered glass front
Net dimensions (w x h x d)	170 x 273 x 230mm
Net dimensions inches	6,69 x 10,75 x 9,06 inches
Physical Head Straight Up Height	310mm (12,20 inches)
Net weight (including Yoke)	4,85 kg (10,69lbs)
Tilt	360°
Tilt Locking System	Locking system with angle indicator
Thermal Characteristics	
Cooling	convection cooling
Humidity (max.)	95%
Temperature range, Operating on Battery	-20°C to 40°C

## Technical Data

Temperature range, Start-Up on Battery	-20° to 40°C
Temperature range, Operating on DC Power Supply	0°C to 40°C
Temperature range, Start-Up on DC Power Supply	0°C to 40°C
Temperature range, Storage	-10°C to 25°C
Temperature range, Charging	0°C to 40°C
Thermal Protection	Automatic overtemperature protection
<b>Electrical Data</b>	
AC Power, max	90 – 285V 50/60Hz
AC Power, nominal	100 – 240V 50/60Hz
Electrical protection	Overload protection with automatic recover
Max Inrush Current	1,102A
Max power consumption	110W
Standby Power	5,5W
Max power thru @ 100 V	11A
Max power thru @ 230 V	11A
Power Factor	0.853 PF (230V) / 0.988 PF (120V)
Power Supply Unit	Inbuilt auto-ranging electronic switch-mode
Power Linking	12 units @ 120 V; 22 units @ 230 V
Battery	217Wh / Lithium-Ionen including BMS
Lifetime	70% after 300 cycles
Battery Run Time	up to 24 hours
Charging Time (nominal)	5h
<b>Included / optional</b>	
Included items	2x radiator caps for pendant installation
	2m power cord
Optional Accessories	Multiple Lens Plates (circular & elliptical), Safety-Free Accessory Adapter, 8-Way Barndoor, Honey Comb, Full Anti-Glare Shield, Gel-Frame, Omega Bracket with quarter-turn fasteners, Touring Cases
Color options	Black – RAL 9004 (Standard)
	White – RAL 9010 (on request)
	Custom color – any RAL (on request)
<b>Operator &amp; Controller</b>	
DMX Functions	Dimmer, Dimmer Fine, Shutter, Duration, Hue, Saturation, Red, Red Fine, Green, Green Fine, Blue, Blue Fine, Lime, Lime Fine, CCT, Tint, Color Macro, Color Macro Crossfade, Device Settings
DMX channels	3CH CCT, 3CH RGB, 6CH RGB, 9CH RGB, 11CH RGB, 14CH RGB, 4CH DIRECT, 8CH DIRECT, 11CH DIRECT, 16CH DIRECT, 3CH HSI, 10CH HSI
DMX modes	12
Protocol	CRMX, W-DMX™ G2, W-DMX™ G3, W-DMX™ G4, W-DMX™ G4S USITT DMX512A RDM ANSI E1.20 Bluetooth Low Energy (BLE)
Setting and addressing	OLED graphical display / 4 controls RDM ANSI E1.20

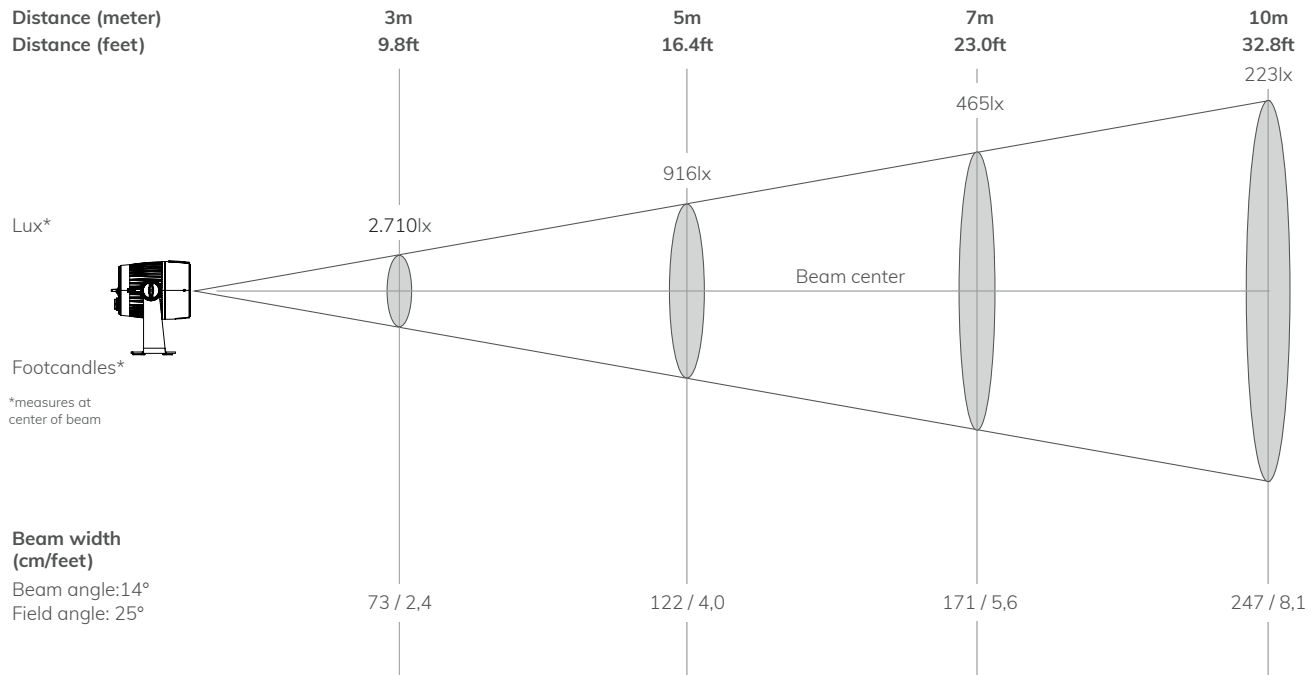
## Technical Data

Standalone mode	Auto Program, Editor, Color Macro, Quick Color, Tunable White, User Color, Timer
Wireless DMX	Lumenradio with RDM (CRMX)
Indicator	OLED graphical display
Controls	4 touch sensitive, backlighted controls
Strobe	0-20Hz
DMX I/O	IP65 XLR 5-pin male/female
Power In	TRUE1 compatible input & link-thru sockets
<b>Installation</b>	
Mounting point on fixture	1 x two quarter-turn locking points for optional Omega Bracket, centric hole 13mm (1/2"), 2x extra holes for TV Spigot
Orientation	Any
Rigging possibilities	Hanging or ceiling / pendant mount (Pendant blind caps included)
Safety features	rear mount for safety wire
Minimum distance from flammable materials	0,3 meters (11,8 inch)



**Luminaire Photometrics**

**Very Narrow Lens**



Lens	Beam / Field Angle	Distance							
		3m/9.8ft		5m/16.4ft		7m/23ft		10m/32.8ft	
		Illuminance lux	Diameter cm/feet	Illuminance lux	Diameter cm/feet	Illuminance lux	Diameter cm/feet	Illuminance lux	Diameter cm/feet
<b>VN lens</b>	14° / 25°	2710	73 / 2,4	916	122 / 4,0	465	171 / 5,6	223	247 / 8,1
<b>N lens</b>	23° / 43°	1550	122 / 4,0	556	204 / 6,7	290	283 / 9,3	141	405 / 13,3
<b>M lens</b>	35° / 69°	550	189 / 6,2	196	314 / 10,3	101	442 / 14,5	50	631 / 20,7
<b>W lens</b>	52° / 86°	305	293 / 9,6	109	488 / 16,0	56	683 / 22,4	28	975 / 32,0
<b>EN lens (v x h)</b>	30° / 58° x 15° / 34°	930	160 x 80 / 5,25 x 2,62	320	268 x 131 / 8,8 x 4,3	163	375 x 183 / 12,3 x 6,0	80	536 x 262 / 17,6 x 8,6
<b>EW lens (v x h)</b>	46° / 73,5° x 17,5° / 40°	640	255 x 92 / 8,37 x 3,02	230	424 x 152 / 13,9 x 5,0	115	594 x 216 / 19,5 x 7,1	58	850 x 308 / 27,9 x 10,1

## Order Number

SHOW mini	Order Number
B.SHOW mini FC	11401101
Accessories	Order Number
B.SHOW mini Lens VN (Very Narrow)	11409701
B.SHOW mini Lens N (Narrow)	11408901
B.SHOW mini Lens M (Medium)	11409001
B.SHOW mini Lens W (Wide)	11409101
B.SHOW mini Lens EN (Elliptical Narrow)	11409201
B.SHOW mini Lens EW (Elliptical Wide)	11409301

Accessories	Order Number
Safety Free Accessory Holder	11909401
8-Way Barndoor	11909501
Honey Comb	11909501
Omega Bracket ST	90900002
SHOW Full Anti-Glare Shield	11909801

## Further Versions



B.SHOW mini TW+



E.SHOW mini TW+



E.SHOW mini FC

