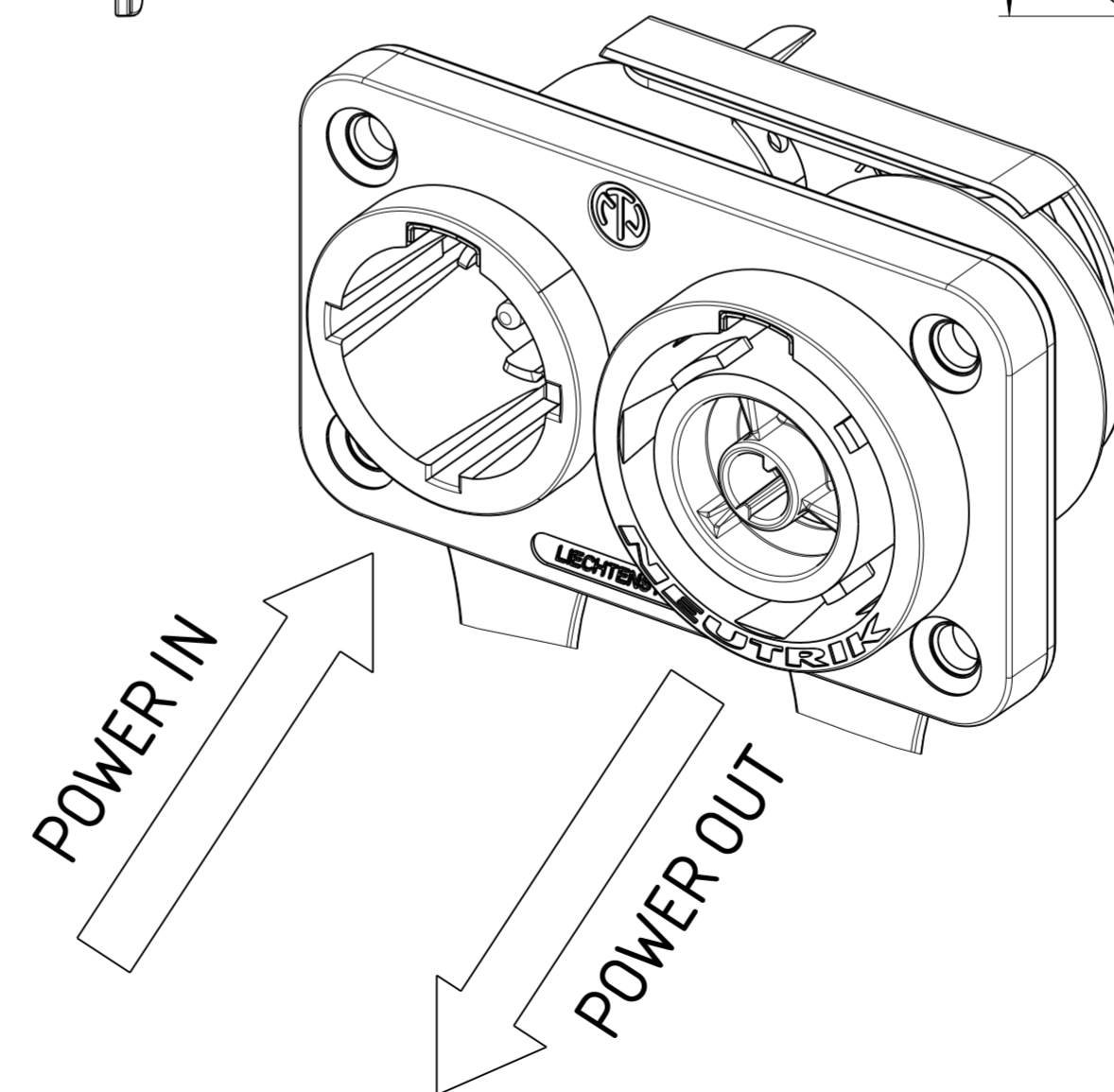


Frontplattenausschnitt  
panel cutout



Sheet Number 1/1	Projection 	Scale 2:1	Format A2	General Tolerancing ISO 2768 mK	
Description			Created on/by 09.05.2023	Dobler O.	
NAC3PX-TRUE1			Approved on/by	Article ID NAC3PX-TRU E1	Model ID 30010625
Status	-	Revision	-	ECN Number	-
			<b>Neutrik Group</b>		