

User manuals: light stands, R range

Notice d'utilisation : élévateurs gamme R

Bedienungsanleitung: Teleskopstativen, R serie



Document to be stored safely

Document à conserver

Bitte dieses Dokument sorgfältig aufbewahren



R 2400

R 3500

R 4000

R 4700

R 5200



User manuals: light stands, R range

Notice d'utilisation : élévateurs gamme R

Bedienungsanleitung: Teleskopstative, R serie



English

1. Introduction

This user manual has been written as guidance for a safe and efficient use of your Goliath-studio R light stand. We strongly recommend you read carefully and implement all instructions given in this document.

Our products benefit from quality inspections and demanding tests procedures during the manufacturing process. The R range has a 1 year warranty from date of shipment providing it is used in accordance of this instruction manual and within the limit of a normal use (see our conditions of warranty).

Goliath Studio provides several type of maintenance and after sales service contract as well as warranty extension and yearly certifications for your Goliath Studio lifters. These programs provide longer life to your lifter while confirming the upmost level of security for you and the using personnel.

We strongly recommend to subscribe.

2. Technical data

Light stands restricted use to entertainment light system management only. All other use is forbidden.

Série R	R2400	R3500	R4000	R4700	R5200
Maximum load	100 kg	100 kg	120 kg	150 kg	200 kg
Minimum load	10 kg	10 kg	10 kg	10 kg	10 kg
Maximum height	2400 mm	3450 mm	3800 mm	4715 mm	4950 mm
Folded height	1070 mm	1600 mm	1385 mm	1855 mm	1855 mm
Weight	16 kg	19 kg	30 kg	62 kg	69 kg
Foot extention dia.	1200 mm	1200 mm	1500 mm	2000 mm	2000 mm
Number of sections	2	2	3	3	3

All Pro models benefit from a rack and pinion elevation design with automatic safety system.

The upper sections move simultaneously and evenly up.

The additional automatic safety system comes as a standard on the 3rd section.

Front legs are individually adjustable to guarantee an excellent stability.

Each foot is equipped with rubber block.

Corrosion free: Hard anodised aluminium and galvanised painted steel.

User manuals: light stands, R range

Notice d'utilisation : élévateurs gamme R

Bedienungsanleitung: Teleskopstative, R serie



English

3. Safety instructions

Position the elevator on a flat and hard surface.

Adjust the front legs length so that the lifter is straight and levelled.

Check the lifter position with the bubble marker.

Make sure the foot safety catch pawl is in locking position, in such a way that the elevator foot is duly locked in position.

When used outside and/or under wind conditions the elevator must be positioned on a hard surface with proper slinging. To do so it is recommended to attach cables from the support plate of the extension module at the top of the lifter (R) to 4 solid ground equidistant fixing points.

Make sure there is no cable or any object positioned above the elevator that could be hit when lifting.

Check the load lifted and make sure it remains lower than the maximum load capacity.

During transport, lower all sections and lock the foot in folded position.

Remove all fixing accessories positioned on the elevator, fold the extension section if applicable, position the safety pin.

When lifting the system up, remove the safety red strap on the last module.

If in any circumstances the 3rd section of the lifter is moving out during transport, simply turn the handle clock wise until section 2 has a length equal to section 3, and then turn the handle anti clock wise to fold back the lifter in lower position

Handle with care during transport. No shock.

Do not damage profiles or handle.

4. ATTENTION

Do not overload the elevator.

The load must be in central position vs the centre of gravity of the elevator to avoid off balance.

Do not position ladder on the elevator and do not use it as scaffolding

Lifting person is forbidden.

Do not apply side traction on the elevator head while in use which could damage the profile structure.

Never turn the handle with 2 hands if high effort is required. It means the elevator is overloaded.

Do not stay under the load.

Do not adapt motor on the handle axle.

5. Public use

Demarcate and secure a safety zone all around lifters during their setup and use.

Lifters must be setp, manipulated and used by authorized personnel (staff of the organization or company using these products)

Verify the system's stability, once in place on a hard and horizontal surface.

User manuals: light stands, R range

Notice d'utilisation : élévateurs gamme R

Bedienungsanleitung: Teleskopstativen, R serie



English

6. Operating instructions

Position the elevator on a flat and hard surface.

6.1. R2400 & R3500 serie

Unscrew and pull the blocking wheel (K).

Push the sliding foot support downwards until it locks itself in unfolded position and tighten the blocking wheel (K)

Adjust if required the length of the adjustable leg (M) to offset a possible irregular floor.

Press the button (L) located on the leg and adjust its length (6 positions) then release the button.

Check the elevator stability thanks to the bubble marker (E).

Position the handle on axle (H) and check the self-locking system.

Unscrew the locking wheel (S).

Turn the handle clockwise to lift the load up to the appropriate level.

During the lifting operation you should hear a regular clicking sound. If you do not hear this sound, turn the handle several times both ways up and down. If the sound cannot be heard do not use the elevator and contact your local dealer.

The height of load can be checked directly (read at intersection of the 1st and second module) on the scale line (I) integrated to the 2d section. The load can be adjusted to the cm

Do not lift beyond « stop » signal.

Disconnect the handle (H).

Tighten the locking screw (S).

6.2. R4000 serie

Unlock the foot safety pin (A) unscrew the blocking Wheel (B).

Push the sliding front foot support (U) downwards until it locks itself in unfolded position and tighten the blocking wheel (B)

Unlock rear foot (C), unfold it and lock into position (D).

Adjust if required the leg position with the appropriate safety pin location (F) to offset a possible irregular floor.

Check the elevator stability thanks to the bubble marker (E).

Position the handle on axle (H) and check the self-locking system.

Unscrew the locking wheel (S).

Push the locking device (J) forward in « security » position.

Turn the handle clockwise to lift the load up to the appropriate level.

During the lifting operation you should hear a regular clicking sound. If you do not hear this sound, turn the handle several times both ways up and down. If the sound cannot be heard do not use the elevator and contact your local dealer.

The height of load can be checked directly (read at intersection of the 1st and second module) on the scale line (I) integrated to the 2d section. The load can be adjusted to the cm

Do not lift beyond « stop » signal.

Disconnect the handle (H).

User manuals: light stands, R range

Notice d'utilisation : élévateurs gamme R

Bedienungsanleitung: Teleskopstative, R serie



English

6.3. R4700 & R5200 serie

[R4700] Unlock the pin thanks to the opening on the lifter's base.

[R5200] For each leg, slightly loose the safety pin (Q) by turning it.

Unlock and pull the spindle (X) and unfold the leg (N) to the position where it's the closest to the floor.

Direct the rubber block (P) towards the floor.

Reset the spindle (X) through one of the 6 positions of the leg.

Then adjust the level with the adjusting device by turning the safety pins.

Check the elevator stability thanks to the bubble marker (E).

Position the handle on axle (H) and check the self-locking system.

Unscrew the locking wheel (S).

Turn the handle clockwise to lift the load up to the appropriate level.

During the lifting operation you should hear a regular clicking sound. If you do not hear this sound, turn the handle several times both ways up and down. If the sound cannot be heard do not use the elevator and contact your local dealer.

The height of load can be checked directly (read at intersection of the 1st and second module) on the scale line (I) integrated to the 2d section. The load can be adjusted to the cm

Do not lift beyond « stop » signal.

Disconnect the handle (H).

7. To lift the load up

Remove the safety red strap when applicable, in order to free the modules.

Position the load fixing device (R) and secure it with screw.

Push the locker forward (J).

Position the handle on axle (H) and check the self-locking system.

Turn the handle clockwise to lift the load up to the appropriate level.

During the lifting operation you should hear a regular clicking sound. If you do not hear this sound, turn the handle several times both ways up and down. If the sound cannot be heard do not use the elevator and contact your local dealer.

The height of load can be checked directly (line between the first and the second section) on the scale line (I) integrated to the 2d section. The load can be adjusted to the cm.

Do not lift beyond « stop » signal.

Disconnect the handle (H).

8. To lower the load down

Position the handle on axle (H).

Unscrew the locking wheel (S), when applicable (R2400 & R3500).

Turn slightly the handle clockwise to unlock the locking device (J), then pull the locking device (J) towards you in the off position, when applicable (R4000, R4700 & R5200).

Turn the handle counter-clockwise.

When fully folded, it may be possible to continue to turn the handle anti clockwise.

This will not affect the elevator, but it will require you turn several times the handle clockwise before you actually see an elevation again.

User manuals: light stands, R range

Notice d'utilisation : élévateurs gamme R

Bedienungsanleitung: Teleskopstative, R serie



English

9. During transport

Reset the system in its original position:

Lower all modules down, at their minimum.

Remove the load and the trussing support device. Fold the extension module if any with safety pin and safety strap (S).

Tighten the locking wheel (S) to apply pressure on the last section. Fold feet on the main module, in order to minimize the volume taken by the lifter and secure it.

9.1. R2400 & R3500 serie

Put the adjustable leg (M) in its initial position (cancel the eventual setting).

Unlock the sliding foot support by acting on the blocking wheel (K) and slide it up until it locks itself in position and tighten locking screw (K).

R2400 and R3500 are delivered with a transport bag.

9.2. R4000 serie

Put all the legs in their initial position (cancel the settings).

Unlock rear foot (D), unfold it and lock into position (C).

Unlock the sliding foot support and slide it up and tighten the wheel (B).

R4000 is delivered with a transport bag

9.3. R4700 & R5200

[R4700] Place all outriggers in the right way, so the pin is accessible to users from the opening on the lifter's base.

Slightly loose the safety pins (Q), then unlock and pull the spindles (X).

Direct the rubber block (P) upward and fold up the legs (N) until they come back to the lifter.

Reset the spindles (X) in the « transport » position (V) of the legs.

Then slightly tighten the safety pins to reduce the movements of legs.

Pull the lifter with the handle (M) as it gently rolls on wheels

10. Maintenance

Goliath Studio R range elevator does not require maintenance. It has been greased at factory and is designed to operate at nominal load for 2 years with one complete cycle (up and down) once a day.

In case of intensive use, it is necessary to check if a potential wear of the rack is visible and if necessary to grease accordingly the rack.

It is strictly forbidden to open the elevator mechanism and grease it.

11. End-of-Life

We suggest you to send your request regarding quality issues to our quality department.

When products cannot be repaired (i.e.: too much damage), we advise you to contact your municipality's garbage management.

User manuals: light stands, R range

Notice d'utilisation : élévateurs gamme R

Bedienungsanleitung: Teleskopstative, R serie



English

12. Product certification

Every lifting equipment must be inspected at least once a year and pass a load test in order to be certified for the following 12 month.

This certification must be performed by an authorized inspector.

Goliath Studio offers various certification and maintenance contract and can repair it should it be damaged or beyond warranty (contracted work based on quote).

You can also contact Goliath studio after sales service to perform such test.

Any modification or alteration of the product will automatically cancel the warranty and withdraw Goliath studio responsibility.

13. Certifications

Our product conforms to European standards and recommendation.

Directives 2006/42/CE, Standard DIN 56950-3:2015, EN12100-2010, EN13157+A1, BGVC1 and BGG 912 rules.

And benefit from the CE and GS marking.

However our internal certification process test and manufacturing standards are of a higher level of requirement than the above mentioned standards which enables us to provide a 1 year warranty for all R serie lifters.

14. Warranty

Goliath studio R elevator has a 1 year warranty.

The warranty includes the lifting mechanism, the safety devices and the telescopic mechanism.

The warranty starts from the factory shipping date (date of invoice or delivery note).

This warranty is valid as long as the elevator is used in full conformity with the conditions of use and safety specified in this manual and within the limit of 1 complete cycle of operation per day (400 days within 2 years) and providing yearly test certification is completed par an authorised professional.

The following damages are not covered by the warranty:

Shock, scratches, and alteration of the product or its labelling.

Long term exposure or storage outside with no protection.

Alteration of section caused by a side traction effect.

Any use of the elevator requiring an effort over 10 kg on the handle.

Damages caused by overload.

Any use other than elevation of light system for the entertainment industry.

Any modification or alteration of the product will automatically cancel the warranty as well as Goliath studio responsibility.

Any modification or alteration of our products (especially security and mechanical components) will cancel the warranty.

The warranty covers only the cost of the elevator and its potential replacement. It does not cover the damages occurring further to its use.

User manuals: light stands, R range

Notice d'utilisation : élévateurs gamme R

Bedienungsanleitung: Teleskopstativen, R serie



Français

1. Introduction

Ce manuel utilisateur a été conçu pour vous permettre d'utiliser votre élévateur Goliath-studio série R dans les meilleures conditions de sécurité et d'efficacité.

Nous vous invitons donc à en prendre connaissance et à respecter les instructions qui y sont reportées.

Nos produits font l'objet d'un suivi qualité et de contrôles rigoureux tout au long du processus de fabrication. Ils bénéficient d'une garantie de 1 an à compter de leur date d'expédition.

Cette garantie s'entend dans la limite d'une utilisation normale et le strict respect des instructions de ce manuel (voir conditions de garantie).

2. Données Techniques

Elévateurs télescopique destinés au positionnement en hauteur de système d'éclairage pour le spectacle.

Série R	R2400	R3500	R4000	R4700	R5200
Charge maximum	100 kg	100 kg	120 kg	150 kg	200 kg
Charge minimum	10 kg	10 kg	10 kg	10 kg	10 kg
Hauteur maximum	2400 mm	3450 mm	3800 mm	4715 mm	4950 mm
Hauteur replié	1070 mm	1600 mm	1385 mm	1855 mm	1855 mm
Poids unitaire	16 kg	19 kg	30 kg	62 kg	69 kg
Surface d'extension pieds	1200 mm	1200 mm	1500 mm	2000 mm	2000 mm
Nombre modules	2	2	3	3	3

Tous nos modèles série PRO bénéficient d'un système d'entraînement démultiplié par crémaillère à sécurité automatique.

Les modules supérieurs se déploient simultanément et proportionnellement.

Les versions disposant de 3 modules télescopiques sont équipées en standard d'une sécurité automatique additionnelle pour le 3eme module.

Les pieds sont réglables individuellement (sauf pied large arrière) pour garantir une parfaite stabilité.

Les pieds sont équipés de patins anti dérapant.

Protection contre la corrosion des pièces externe : Aluminium anodisé et acier galvanisé + cataphorèse.

User manuals: light stands, R range

Notice d'utilisation : élévateurs gamme R

Bedienungsanleitung: Teleskopstativen, R serie



Français

3. Précautions d'emploi

Placer l'élévateur sur une surface dure et horizontale.

Ajuster le réglage des pieds pour garantir la mise à niveau de l'élévateur.

Vérifier le réglage avec le niveau à bulle (bulle au centre).

Vérifier le verrouillage des pieds par enclenchement du verrou.

En utilisation extérieure veiller à positionner l'élévateur sur une surface dure et élinguer si besoin en cas de vent. Pour ce faire il convient de verrouiller les câbles d'arrimage (non fournis) sur la platine de support accessoire (R) et de fixer ceux-ci solidement au sol aux 4 points cardinaux et à distance équidistantes les uns par rapport aux autres.

Veiller à ne pas heurter des éléments ou câbles suspendus au-dessus de l'élévateur.

Vérifier la charge supportée par l'élévateur et veiller à ce que celle-ci soit inférieure à la charge maximum indiquée.

Pour le transport veillez à replier et verrouiller en position les pieds.

Toujours retirer l'accessoire de fixation en tête de mât, replier le module d'extension s'il y a lieu et positionner la goupille de sécurité.

Pour l'élévation, veiller à enlever la sangle rouge sur le dernier module (sécurité).

En cas de sortie involontaire à vide du 3ème module il suffit de déployer le module 2 en tournant la manivelle dans le sens des aiguilles d'une montre jusqu'à obtenir une section identique en longueur à celui du module 3 puis de redescendre l'ensemble.

Ne pas jeter l'élévateur au sol lors de son rangement. Eviter les chocs.

Ne pas endommager les profils ni l'axe manivelle de l'élévateur.

4. ATTENTION

Ne pas surcharger l'élévateur

Toujours positionner la charge de façon équilibrée dans l'axe du centre de gravité de l'élévateur.

Ne jamais positionner d'échelle ou d'étais contre l'élévateur.

Ne jamais positionner de charge déséquilibrée sur l'élévateur

Ne pas se suspendre ou utiliser l'élévateur pour soulever des personnes.

Ne pas exercer de traction horizontale en tête de mât lorsque l'élévateur est déployé qui pourrait déformer les modules télescopiques.

Ne jamais forcer à 2 mains sur la manivelle, cela indique une surcharge de poids sur l'appareil.

Ne jamais stationner sous l'élévateur en charge.

Ne pas motoriser l'élévateur.

5. Utilisation en public

Délimiter et sécuriser une zone autour des moyens de levage lors de leur mise en position et mise en service.

Les moyens de levage doivent être manipulés uniquement par les personnes habilitées (personnes salariées de l'entreprise ou faisant partie de l'organisation utilisant les mâts télescopiques).

Vérifier la stabilité du système, une fois mis en place sur la surface dure et horizontale choisie.

User manuals: light stands, R range

Notice d'utilisation : élévateurs gamme R

Bedienungsanleitung: Teleskopstativen, R serie



Français

6. Utilisation

Positionner l'élévateur sur une surface dure et horizontale

6.1. Pour les versions R2400 et R3500

Dévisser puis tirer la mollette de blocage (K).

Faire glisser la coulisse (O) jusqu'à sa position de verrouillage et revisser la mollette de blocage (K).

Ajuster si nécessaire la longueur du pied réglable (M) pour corriger une éventuelle imperfection du sol, appuyer sur le bouton (L) situé sur le pied et régler la longueur du pied (6 positions) puis relâcher le bouton.

Vérifier que l'élévateur est stable et de niveau sur le niveau à bulle (E) (bulle au centre).

Positionner la manivelle (H) sur l'axe et vérifier son auto verrouillage.

Dévisser la molette de verrouillage (S).

Tourner la manivelle dans le sens des aiguilles d'une montre pour monter la charge jusqu'à la hauteur souhaitée. Le bon fonctionnement du système de sécurité est validé par le son d'un cliquetis. En l'absence de ce son manipulez la manivelle sur plusieurs tours. Si le son n'est toujours pas audible n'utilisez pas l'appareil et contactez un professionnel.

La hauteur de positionnement est directement lisible (à l'intersection des 2 premiers modules) sur l'échelle (I) intégrée au second module. La hauteur de positionnement peut être ajustée au cm.

Ne pas déployer l'élévateur au-delà du marquage « STOP ».

Retirer la manivelle (H).

Serrer la vis de verrouillage (S).

6.2. Pour la version R4000

Débloquer la goupille de sécurité des pieds (A) et dévisser la mollette de blocage (B).

Faire glisser la coulisse de pieds avant (U) jusque sa position de verrouillage et visser la molette de blocage (B).

Déverrouiller le pied arrière (C), déplier celui-ci et verrouiller le en position (D).

Ajuster si nécessaire le positionnement de la bielle de pied dans l'orifice correspondant (F) du pied pour corriger une éventuelle imperfection du sol.

Vérifier que l'élévateur est stable et de niveau sur le niveau à bulle (E) (bulle au centre).

Positionner la manivelle (H) sur l'axe et vérifier son auto verrouillage.

Dévisser la molette de verrouillage (S).

Pousser le verrou (J) vers l'avant en position de « sécurité ».

Tourner la manivelle dans le sens des aiguilles d'une montre pour monter la charge jusqu'à la hauteur souhaitée. Le bon fonctionnement du système de sécurité est validé par le son d'un cliquetis. En l'absence de ce son manipulez la manivelle sur plusieurs tours. Si le son n'est toujours pas audible n'utilisez pas l'appareil et contactez un professionnel.

La hauteur de positionnement est directement lisible (à l'intersection des 2 premiers modules) sur l'échelle (I) intégrée au second module. La hauteur de positionnement peut être ajustée au cm.

Ne pas déployer l'élévateur au-delà du marquage « STOP ».

Retirer la manivelle (H).

User manuals: light stands, R range

Notice d'utilisation : élévateurs gamme R

Bedienungsanleitung: Teleskopstativen, R serie



Français

6.3. Pour les versions R4700 et R5200

[R4700] Débloquer le pion des pieds par l'ouverture prévue dans le socle du mât.

[R5200] Pour chaque pied, desserrer légèrement la bielle (Q) en la tournant.

Déverrouiller et tirer la broche (X) et déplier le pied (N) jusqu' à position la plus proche du sol.

Orienter le patin (P) vers le sol.

Réenclencher la broche (X) au travers d'une des 6 positions du pied.

Puis ajuster le niveau avec le dispositif de réglage en tournant les bielles (Q).

Vérifier que l'élévateur est stable et de niveau sur le niveau à bulle (E) (bulle au centre).

Positionner la manivelle (H) sur l'axe et vérifier son auto verrouillage.

Dévisser la molette de verrouillage (S).

Tourner la manivelle dans le sens des aiguilles d'une montre pour monter la charge jusqu'à la hauteur souhaitée.

Le bon fonctionnement du système de sécurité est validé par le son d'un cliquetis. En l'absence de ce son manipulez la manivelle sur plusieurs tours. Si le son n'est toujours pas audible n'utilisez pas l'appareil et contactez un professionnel.

La hauteur de positionnement est directement lisible (à l'intersection des 2 premiers modules) sur l'échelle (I) intégrée au second module. La hauteur de positionnement peut être ajustée au cm.

Ne pas déployer l'élévateur au-delà du marquage « STOP ».

Retirer la manivelle (H).

7. Pour monter la charge

Désolidariser la sangle rouge (S) du module 3, afin de pouvoir monter la charge.

Pousser le verrou (J) vers l'avant en position de sécurité.

Positionner la manivelle (H) sur l'axe et vérifier son auto verrouillage.

Tourner la manivelle dans le sens des aiguilles d'une montre pour monter la charge jusqu'à la hauteur souhaitée. Le bon fonctionnement du système de sécurité est validé par le son d'un cliquetis. En l'absence de ce son manipulez la manivelle sur plusieurs tours. Si le son n'est toujours pas audible n'utilisez pas l'appareil et contactez un professionnel.

La hauteur de positionnement est directement lisible (à l'intersection des 2 premiers modules) sur l'échelle (I) intégrée au second module. La hauteur de positionnement peut être ajustée au cm.

Ne pas déployer l'élévateur au-delà du signal « stop ».

Retirer la manivelle (H).

8. Pour descendre la charge

Positionner la manivelle (H) sur son axe.

Dévisser la molette (S) si applicable (R2400 et R3500)

Tourner celle-ci dans le sens des aiguilles d'une montre légèrement pour débloquer le verrou de sécurité (J).

Tirer le verrou de sécurité (J) vers vous en position repos, si applicable (R4000, R4700, R5200).

Tourner la manivelle dans le sens inverse des aiguilles d'une montre.

Il est possible qu'en fin de course (élévateur replié) si vous continuez de tourner la manivelle celle-ci tourne dans le vide.

Cela est normal, il faudra quelques tours de manivelle dans le sens des aiguilles d'une montre avant que les modules télescopiques ne se déploient à nouveau.

User manuals: light stands, R range

Notice d'utilisation : élévateurs gamme R

Bedienungsanleitung: Teleskopstativen, R serie



Français

9. Transport & Stockage

Remettre le système dans sa position initiale :

Retirer la charge et l'accessoire support.

Si un module d'extension est utilisé veiller à positionner celui-ci en position basse pour le solidariser avec le profil aluminium grâce à la goupille.

Veiller à resserrer la molette de verrouillage (S) pour appliquer une pression sur le dernier module.

9.1. Pour les versions R2400 et R3500

Remettre le pied réglable (M) en position initiale (annuler le réglage éventuel).

Déverrouiller la coulisse de pieds en agissant sur la molette de blocage (K) et repositionner celle-ci en position haute jusqu'à son verrouillage, puis revisser la mollette (K).

Les mâts R2400 et R3500 sont fournis avec un sac de transport.

9.2. Pour la version R4000

Remettre tous les pieds dans leur position initiale (annuler les réglages).

Déverrouiller le pied arrière (D) et repliez le sur le profil de l'élévateur jusqu'à son verrouillage en position (C).

Déverrouiller la coulisse de pieds avant et repositionner celle-ci en position haute et visser la mollette (B).

Les mâts R4000 sont fournis avec un sac de transport.

9.3. Pour les versions R4700 et R5200

[R4700] Replacer les pieds dans le socle du mât dans le bon sens, afin de pouvoir accéder aux pions aisément.

[R5200] Desserrer légèrement les bielles (Q), puis déverrouiller et tirer les broches (X).

Orienter les patins (P) vers le haut et replier les pieds (N) jusqu'au contact avec le mât

Réenclencher les broches (X) dans la position « transport » (V) des pieds.

Puis resserrer légèrement les bielles pour limiter les jeux des pieds.

Saisir la poignée (M) et tirer l'élévateur qui repose alors sur ses roues de transport.

10. Entretien

L'élévateur Goliath Studio série R ne nécessite aucun entretien particulier. L'appareil a été lubrifié en usine et est prévu pour une utilisation à la charge nominale pendant 2 ans incluant un cycle de montée et de descente complet 1 fois par jour.

En cas d'utilisation intensive il convient de vérifier si une usure anormale de la crémaillère est visible et si besoin appliquer avec un pinceau une graisse de lubrification directement sur la crémaillère (à l'exclusion de tout autre composant).

11. Fin de vie des produits

Nous vous invitons à envoyer vos requêtes concernant l'état de fonctionnement de vos produits à notre service qualité. S'il s'avère que les produits ne sont pas réparables, nous vous invitons à contacter la gestion des déchets de votre municipalité.

User manuals: light stands, R range

Notice d'utilisation : élévateurs gamme R

Bedienungsanleitung: Teleskopstative, R serie



Français

12. Certification annuelle

Chaque appareil de levage doit être inspecté et validé par un test d'épreuve validant la certification de celui-ci pour un an.

Cette certification doit être réalisée par un professionnel habilité.

Goliath Studio propose en direct ou au travers de votre revendeur local divers contrats de certification et de maintenance et réalise sur devis la remise en état de votre appareil si celui-ci a été endommagé hors garantie (remplacement de pieds par exemple).

Vous pouvez contacter notre SAV qui saura vous conseiller.

Toute altération ou modification du produit rendra caduque la garantie ainsi que la responsabilité de Goliath Studio en cas d'incident.

13. Certifications

Nos produits sont conformes aux normalisations et recommandations européennes notamment : Directives 2006/42/CE, Normes DIN 56950-3:2015, EN12100-2010, EN13157+A1, règlement BGVC1 et BGG 912.

Ils bénéficient des labels et certificats CE et GS.

Toutefois nos standards internes de certification, tests et contrôles sont plus exigeants que les normes ci-dessus mentionnées et nous permettent d'associer une garantie de 1 an à nos élévateurs série R.

14. Garantie : Conditions et mise en œuvre

Nos élévateurs Goliath Studio série PRO sont garantis 1 an pièces et main d'œuvre.

Cette garantie couvre uniquement les éléments constructeurs : le système de démultiplication et d'entraînement par crémaillère, les divers systèmes de sécurité, le mécanisme télescopique.

Cette garantie est valable à compter de la date d'expédition de nos entrepôts, la date de notre facture ou bon de livraison faisant foi.

Cette garantie est valable dans le cadre d'une utilisation normale de l'appareil, sous condition du strict respect des conditions d'utilisation requises dans ce manuel et dans la limite d'un cycle complet de montée et descente à la charge nominale par jour pendant au plus 400 jours en 2 ans et sous réserve de la certification annuelle de l'appareil par un professionnel dûment agréé.

Ne sont pas couverts par la garantie les dommages consécutifs à un ou plusieurs chocs, les rayures du produit ou altération de l'étiquetage, un stockage de longue durée exposé aux intempéries, une déformation d'un ou plusieurs modules lors d'une traction latérale de la charge ou par une charge désaxée notamment lorsque l'élévateur est déployé, une surcharge au-delà de la capacité nominale de l'élévateur, une condition d'usage requérant un effort sur la manivelle supérieure à 10 kg, une élévation de charge au-delà de la limite indiquée sur l'appareil ou tout usage autre que le positionnement en hauteur de systèmes d'éclairages pour le spectacle.

Toute modification ou altération du produit (notamment de son système de démultiplication et de sécurité) entraîne la déchéance de la garantie.

La garantie ne couvre pas les dommages liés à l'utilisation ou occasionnés par l'utilisation de l'élévateur.

User manuals: light stands, R range

Notice d'utilisation : élévateurs gamme R

Bedienungsanleitung: Teleskopstativen, R serie



Deutsch

1. Einführung

Diese Bedienungsanleitung wurde erstellt, um eine zuverlässige und sachgerechte Nutzung der R-Reihe Goliath-Studio zu gewährleisten. Lesen Sie bitte diese Bedienungsanleitung sorgfältig durch und beachten Sie die Anweisungen.

Unsere Produkte unterliegen strengsten Prüfungen und Qualitätskontrollen während der Fertigung. Ab dem Versand der Ware gewähren wir ein Jahr Garantie. Die Garantie setzt voraus, dass die Ware unter der strikten Beachtung der Bedienungsanleitung eingesetzt wurde. (Siehe Garantie-Bedingungen).

Goliath-Studio kann Ihnen verschiedene Wartungsverträge, einen umfassenden Kundendienst, Garantieverlängerung und eine jährliche Zertifizierung ihres Goliath-Studio Stativs anbieten, und garantiert so eine hohe Sicherheit und Lebensdauer. Wir empfehlen von diesen Dienstleistungen Gebrauch zu machen.

2. Technische Daten

Dieses Teleskopstativ ist für die Befestigung und das Heben von Scheinwerfern oder Lichteffekten geeignet.

Série R	R2400	R3500	R4000	R4700	R5200
Max. Last	100 kg	100 kg	120 kg	150 kg	200 kg
Min. Last	10 kg	10 kg	10 kg	10 kg	10 kg
Max. Höhe	2400 mm	3450 mm	3800 mm	4715 mm	4950 mm
Min. Höhe	1070 mm	1600 mm	1385 mm	1855 mm	1855 mm
Gewicht	16 kg	19 kg	30 kg	62 kg	69 kg
Stellfläche geöffnet	1200 mm	1200 mm	1500 mm	2000 mm	2000 mm
Sektionen	2	2	3	3	3

Unsere Stative der R Reihe funktionieren mit einem verstärkten Antriebssystem (Untersetzung) durch eine Zahnstange mit automatischem Sicherheitssystem.

Die oberen Sektionen steigen gleichzeitig und proportional auf.

Die Stative mit 3 Teleskopsektionen verfügen serienmäßig über ein zusätzliches automatisches Sicherheitssystem für die dritte Sektion.

Die Ausleger (außer dem hinteren breiten Ausleger) können individuell eingestellt werden, um eine perfekte Standfestigkeit zu erlauben.

Die Ausleger sind mit rutschfesten Gummipuffern eingerichtet.

Die äußeren Komponenten sind gegen Korrosion geschützt: eloxiertes Aluminium und verzinkter Stahl + Kataphorese.

User manuals: light stands, R range

Notice d'utilisation : élévateurs gamme R

Bedienungsanleitung: Teleskopstativen, R serie



Deutsch

3. Sicherheitsmaßnahmen

Den Hubturm auf harten und ebenen Flächen aufstellen.

Einstellung der Ausleger, um die Standfestigkeit zu garantieren.

Prüfen Sie bitte die Einstellung mit der Wasserwaage (Die Blase muss in der Mitte sein).

Prüfen Sie bitte die Verriegelung der Ausleger.

Bei Einrichtung des Systems, entfernen Sie bitte das rote Sicherheitsband auf dem letzten Bauelement.

Bei Freiluftanwendungen, das Stativ auf festen Boden stellen und mittels Seilanker gegen die Windbelastung schützen. Um dies zu tun: die Befestigungsseile (nicht geliefert) auf die Platine des Zubehörteilsträgers verriegeln (R) und diese auf dem Boden an den vier Himmelsrichtungen und gleich weit entfernt von jedem anderen feststellen.

Achten Sie bitte auf herausragende Teile (wie Seile Drähte, Deckenvorsprünge...) oberhalb des Turmes.

Die Traglast des Stativs darf niemals überschritten werden.

Für den Transport sind alle Ausleger wieder zusammenzulegen und zu verriegeln.

Immer das Befestigungselement an der Spitze des Stativs ausklinken; wenn nötig die Erweiterungssektion zusammenlegen und den Sicherheitsbolzen positionieren.

Wenn die dritte Sektion unfreiwillig heraus fährt (ohne Last), können Sie die Handkurbel im Uhrzeigersinn drehen, um die zweite Sektion zu erhöhen, bis dieser so lange wie die dritte Sektion ist. Dann wieder beide Sektionen herunterfahren.

Das Stativ darf nicht auf den Boden geworfen werden. Vermeiden Sie Stöße und Schläge.

Die Profile und die Kurbelachse nicht beschädigen.

4. WICHTIG

Die Traglast darf den angegebenen Wert nicht überschreiten.

Immer die Last ausbalancieren und in der Achse den Schwerpunkt positionieren.

Keine Leiter auf dem Stativ verwenden oder an diesem anlehnen.

Beim Aufbringen der Last ist eine gleichmäßige Lastverteilung erforderlich.

Das Stativ ist nicht als Personenaufzug zugelassen. Es ist streng verboten, sich am Stativ festzuhalten.

Wenn die Sektionen hochgezogen sind, ist es nicht empfehlenswert, die obere Sektion horizontal zu platzieren.

Es könnte die Sektionen beschädigen.

Das Stativ ist überlastet, wenn man die Kurbel mit zwei Händen nur schwer drehen kann.

Bitte nicht unter dem Turm aufhalten.

Dieses Produkt ist nicht für den Betrieb mit einem Motor geeignet.

5. Benutzung in der Öffentlichkeit

Errichten Sie eine Sicherheitszone rund um die Träger während des Aufbau und des Gebrauchs.

Die Träger dürfen nur von autorisierten Personen (Personal der Organisation oder Firma, die diese Produkte/Geräte verwenden) aufgestellt, eingestellt und bedient werden.

User manuals: light stands, R range

Notice d'utilisation : élévateurs gamme R

Bedienungsanleitung: Teleskopstativen, R serie



Deutsch

6. Bedienungsanleitung

Das Stativ auf harten und ebenen Flächen aufstellen.

6.1. R2400 & R3500

Die Feststellschraube (K) lösen und dann ziehen.

Die Laufschiene (O) des Auslegers bis zur Verriegelungsposition gleiten lassen und die Feststellschraube wieder befestigen (K).

Um mögliche Unebenheiten am Boden auszugleichen, kann die Länge des einstellbaren Ausleger (M) eingerichtet sein.

Drücken Sie die Taste (L) auf dem Ausleger und einstellen Sie die Länge des Auslegers (6 Positionen); dann die Taste lockern.

Prüfen Sie bitte die Standfestigkeit des Stativs mit der Wasserwaage (E).

Die Kurbel (H) auf die Achse stecken. Die Kurbel muss automatisch verriegelt sein.

Die Verriegelungsschraube (S) lösen.

Die Kurbel im Uhrzeigersinn drehen, um die Last auf die gewünschte Höhe zu heben.

Sie sollen einen regelmäßigen Klick-Laut hören (Ein Zeichen, dass das Sicherheitssystem richtig funktioniert). Sollten Sie diesen Laut nicht hören, drehen Sie die Kurbel mehrere Umdrehungen. Sollten Sie nach einigen Umdrehungen noch immer keinen Laut hören, verwenden Sie das Stativ nicht weiter und kontaktieren Sie einen Fachmann.

Die Höhe der Last kann leicht durch eine Skala (I) auf der zweiten Sektion kontrolliert werden.

Wenn die STOP-Markierung auf der Skala sichtbar wird, ist die maximale Höhe erreicht.

Nehmen Sie die Kurbel (H) von der Achse.

Die Verriegelungsschraube (S) festziehen.

6.2. R4000

Den Sicherheitsbolzen der Ausleger entriegeln (A) und die Feststellschraube lösen (B).

Die Laufschiene der vorderen Ausleger bis zur Verriegelungsposition gleiten lassen und die Feststellschraube befestigen (B).

Den hinteren Ausleger entriegeln (C), entfalten und verriegeln (D).

Um mögliche Unebenheiten am Boden auszugleichen, kann die Positionierung des Pleuels auf dem Ausleger (F) eingerichtet sein.

Prüfen Sie bitte die Standfestigkeit und die horizontale Einstellung mit der Wasserwaage (E).

Die Kurbel (H) auf die Achse stecken. Die Kurbel muss automatisch verriegelt sein.

Die Verriegelungsschraube (S) lösen.

Die Verriegelung (J) nach vorne in « Sicherheit » Position zu drücken.

Die Kurbel im Uhrzeigersinn drehen, um die Last auf die gewünschte Höhe zu heben.

Sie sollen einen regelmäßigen Klick-Laut hören (Ein Zeichen, dass das Sicherheitssystem richtig funktioniert). Sollten Sie diesen Laut nicht hören, drehen Sie die Kurbel mehrere Umdrehungen. Sollten Sie nach einigen Umdrehungen noch immer keinen Laut hören, verwenden Sie das Stativ nicht weiter und kontaktieren Sie einen Fachmann.

Die Höhe der Last kann leicht durch eine Skala (I) auf der zweiten Sektion kontrolliert werden.

Wenn die STOP-Markierung auf der Skala sichtbar wird, ist die maximale Höhe erreicht.

Nehmen Sie die Kurbel (H) von der Achse.

User manuals: light stands, R range

Notice d'utilisation : élévateurs gamme R

Bedienungsanleitung: Teleskopstativen, R serie



Deutsch

6.3. R4700 & R5200

[R4700] Entriegeln des Stiftes Fuß durch die Öffnung in der Basis des Mastes vorgesehen ist.

[R5200] Für jeder Ausleger, das Pleuel (Q) leicht lockern (durch drehen).

Die Spindel (X) entriegeln und ziehen und den Ausleger (N) auffalten, um am nächsten zum Boden zu sein.
Den rutschfesten Gummipuffern (P) auf den Boden richten.

Die Spindel (X) durch eine der 6 Positionen des Auslegers wiedereinschalten.
Dann die Wasserwaage mit der Verstelleinrichtung berichtigen (das Pleuel (Q) drehen).

Prüfen Sie bitte die Standfestigkeit mit der Wasserwaage (E).

Die Kurbel (H) auf die Achse stecken. Die Kurbel muss automatisch verriegelt sein.

Die Verriegelungsschraube (S) lösen.

Die Kurbel im Uhrzeigersinn drehen, um die Last auf die gewünschte Höhe zu heben.

Sie sollen einen regelmäßigen Klick-Laut hören (Ein Zeichen, dass das Sicherheitssystem richtig funktioniert).
Sollten Sie diesen Laut nicht hören, drehen Sie die Kurbel mehrere Umdrehungen. Sollten Sie nach einigen Umdrehungen noch immer keinen Laut hören, verwenden Sie das Stativ nicht weiter und kontaktieren Sie einen Fachmann.

Die Höhe der Last kann leicht durch eine Skala (I) auf der zweiten Sektion kontrolliert werden.

Wenn die STOP-Markierung auf der Skala sichtbar wird, ist die maximale Höhe erreicht.

Nehmen Sie die Kurbel (H) von der Achse.

7. Um die Ladung anzuheben

Entfernen Sie das rote Sicherheitsband, um die Elemente freizulegen.

Die Zubehörelemente mit dem entsprechenden Bolzen befestigen (R).

Den Riegel (J) in die Sicherheitsposition setzen.

Die Kurbel (H) auf die Achse stecken. Sie muss automatisch verriegelt sein.

Die Kurbel im Uhrzeigersinn drehen, um die Last auf die gewünschte Höhe zu heben.

Sie sollen einen regelmäßigen Klick-Laut hören (Ein Zeichen, dass das Sicherheitssystem richtig funktioniert).
Sollten Sie diesen Laut nicht hören, drehen Sie die Kurbel mehrmals. Sollten Sie nach einigen Umdrehungen noch immer keinen Laut hören, verwenden Sie das Stativ nicht weiter und kontaktieren Sie einen Fachmann.

Die Höhe der Last kann leicht durch eine Skala (I) auf der zweiten Sektion kontrolliert werden.

Wenn die STOP-Markierung auf der Skala sichtbar wird, ist die maximale Höhe erreicht.

Nehmen Sie die Kurbel (H) von der Achse.

8. Senken

Die Kurbel (H) auf die Achse stecken.

Schrauben Sie die Verriegelungsrandel ab (R2400 & R3500).

Die Kurbel im Uhrzeigersinn behutsam drehen, um den Sicherheitsriegel (J) zu entblocken (R4000, R4700, R5200).

Den Sicherheitsriegel (J) ziehen (aus Position).

Die Kurbel gegen den Uhrzeigersinn drehen.

Wenn die Sektionen 100 % gesenkt sind, ist es möglich, dass der Nutzer die Kurbel ins Leere dreht. Dies ist kein Grund zur Besorgnis, drehen Sie in diesem Fall die Kurbel im Uhrzeigersinn 2 bis 3 Mal. Die Sektionen werden daraufhin steigen.

User manuals: light stands, R range

Notice d'utilisation : élévateurs gamme R

Bedienungsanleitung: Teleskopstativen, R serie



Deutsch

9. Transport des Stativs

Die Last und die Zubehörelemente zurücknehmen. Wenn ein zusätzliche Sektion benutzt wird: diese Sektion bis zur Mindesthöhe herunterfahren und dann durch den Bolzen mit dem Aluminiumprofil befestigen.
Die Verriegelungsschraube (S) fester ziehen, um einen Druck auf der letzten Sektion auszuüben.

9.1. R2400 & R3500

Den einstellbare Ausleger (M) in Grundstellung zurück zu bringen (abbrechen Sie das eventuell Einstellen).
Die Laufschiene des Auslegers (mit der Feststellschraube) entriegeln und erhöhen bis zur Verriegelungsposition.
Dann die Feststellschraube wieder befestigen (K).
Die R 2400 und R 3500 sind mit Transport Hülle geliefert

9.2. R4000

Alle Ausleger in Grundstellung zurück zu bringen (abbrechen Sie das Einstellen).
Der Hinter- Ausleger entriegeln (D) und an seinem richtigen Platz auf dem Profil befestigen und verriegeln (C).
Die Laufschiene des vorder- Auslegers entriegeln und erhöhen bis zur Verriegelungsposition. Dann die Feststellschraube wieder befestigen (B).
Die R 4000 sind mit Transport Hülle geliefert.

9.3. R4700 & R5200

[R4700] Ersetzen Sie die Füße in die Basis des Mastes in die richtige Richtung, so dass Sie leicht die Bauern zugreifen.
[R5200] Die Pleuel (Q) leicht lockern, dann entriegeln und die Spindel (X) ziehen.
Den rutschfesten Gummipuffern (P) nach oben richten und die Ausleger (N) wieder zusammenfallen, bis dem Kontakt mit dem Stativ.
Die Spindel (X) in „Transport“ Position (V) der Ausleger wiedereinschalten.
Dann die Pleuel leicht nachziehen, so dass die freie Beweglichkeit abnimmt
Um den Transport zu erleichtern, gibt es einen Traggriff (M) und Räder.

10. Wartung

Das Goliath-Studio Stativ braucht keine besondere Wartung. Das Stativ wird werkseitig komplett geschmiert geliefert und ist für eine tägliche Benutzung über 2 Jahre (ein vollständiger Zyklus einmal pro Tag) geplant; Voraussetzung hierbei ist, dass die Last nicht überschritten wird.
Bei intensiver Nutzung, prüfen Sie bitte die Zahnstange. Wenn dieses Teil ungewöhnlich abgenutzt erscheint, schmieren Sie mit einem Malerpinsel nur die Zahnstange (und keine anderen Teile) ein.

11. Produktlebensende

Wir empfehlen Anfragen bezüglich Qualitätsproblemen an unsere Qualitätsabteilung zu schicken.
Falls Produkte nicht reparierbar sind (z.B. zu großer Schaden), raten wir Ihnen, Ihr örtliches Entsorgungsunternehmen zu kontaktieren.

User manuals: light stands, R range

Notice d'utilisation : élévateurs gamme R

Bedienungsanleitung: Teleskopstative, R serie



Deutsch

12. Jahresinspektion

Jeder Hebezug muss kontrolliert und einzeln mit einer Abnahmeprüfung getestet werden, um die Zertifizierung für ein zusätzliches Jahr zu bestätigen.

Diese Zertifizierung muss von einer Fachkraft erfüllt werden.

Verschiedene Wartungsverträge und Zertifizierungen können bei Goliath-Studio oder durch Ihren Fachhändler erstellt sein. Goliath-Studio kann einen Kostenvoranschlag für eine, nicht unter die Garantie fallende, Reparatur anbieten (Z.B: Stellfüße Ersetzen).

Für weitere Informationen können Sie unseren Kundendienst kontaktieren.

Wird das Produkt anders verwendet als in dieser Bedienungsanleitung beschrieben, kann dies zu Schäden am Produkt führen und der Garantieanspruch entfällt. Der Hersteller haftet nicht für Schäden oder Vorfälle, die durch unsachgemäße Installation, Änderung des Produkts oder unzureichende Sicherheitsvorkehrungen verursacht wurden.

13. Zertifikat

Unsere Produkte entsprechen den europäischen Normen und Richtlinien.

Insbesondere: Maschinenrichtlinie 2006/42/CE, 98/37/CE, Norm DIN56950-3:2015, EN12100-2010, EN13157+A1, Regelung BGVC1 und BGG 912.

Sie haben das CE Siegel und das GS Zertifikat.

Dennoch sind unsere Kriterien für Zertifizierung, Test und Prüfung anspruchsvoller, als die vorgenannten Normen und erlauben uns ein 1-Jahr-Garantie für die R - Reihe.

14. Garantie

Die Goliath-Studio R – Reihe besitzt 1 Jahr Garantie (einschließlich Ersatzteile und Arbeitskosten).

Die Garantie gilt für das Untersetzungs- und Antriebssystem der Zahnstange, sowie für die Sicherheits- und Teleskopsysteme.

Die Garantie beginnt mit dem Versand der Ware, es gilt das Datum der Rechnung oder des Lieferscheins.

Wird das Produkt anders verwendet als in dieser Bedienungsanleitung beschrieben, kann dies zu Schäden am Produkt führen und der Garantieanspruch entfällt. Außerdem ist das Stativ für eine maximale tägliche Benutzung (ein vollständiger Zyklus einmal pro Tag), von 400 Tagen (über 2 Jahre) garantiert; wenn die jährliche Zertifizierung von einer Fachkraft durchgeführt wurde.

Schäden, die nicht von einer Garantie abgedeckt sind:

- Schaden nach einem Stoß.
- Kratzspuren
- Beschädigung der Beschriftung
- Eine lang anhaltende Lagerung bei Schlechtwetter.
- Deformierung von einer Sektion, aufgrund einer schlechten Positionierung der Last.
- Die Traglast wurde überschritten.
- Die Kurbelkraft muss nicht 10 kg überschreiten.
- Dieses Stativ ist nur für die Befestigung und das Heben von Scheinwerfern oder Lichteffekten geeignet. Jede andere Benutzung ist verboten.
- Für mögliche Schäden durch nichtsachgemäßen Gebrauch übernehmen wir keine Haftung.

User manuals: light stands, R range

Notice d'utilisation : élévateurs gamme R

Bedienungsanleitung: Teleskopstativen, R serie



Déclaration de conformité - Declaration of conformity - Konformitätserklärung

Light stands for the entertainment light system

Elévateurs télescopiques destinés au positionnement en hauteur de système d'éclairage pour le spectacle.

Teleskopstativ für die Befestigung und das Heben von Schemwerfen oder Lichteffekten.



We certify that the delivered models correspond to the directives 2006/42/CE, DIN 56950-3:2015, EN12100-2010, EN13157+A1, to the BGVC1 and the DIN 15560-27:2005 (part 27), and that the corresponding quality standards have been respected.

Nous certifions que les modèles livrés sont conformes aux directives 2006/42/CE, DIN 56950-3:2015, EN12100-2010, EN13157+A1, à la BGVC1 et DIN 15560-27:2005 (section 27), et que le plan qualité a été respecté.

Wir bestätigen hiermit, dass die nachfolgenden Modelle in allen Punkten, den Richtlinien 2006/42/CE, DIN56950-3:2015, EN12100-2010, EN13157+A1, der BGVC1 und der DIN 15560-27:2005 (Teil 27), entsprechen und die entsprechenden Qualitätsstandards bei allen Modellen gewahrt wurden.

R2400

R3500

R4000

R4700

R5200

The quality management system at the production site TDE has been certified ISO 9001:2008 by the Tüv Saarland (certificate DE14/818842119).

Le système de assurance qualité du site de fabrication TDE est certifié ISO 9001:2008 par le Tüv Saarland (certificat DE14/818842119).

Das Qualitäts Management, sowie die Produktion von TDE wurden durch den Tüv Saarland (Zertifikat DE14/818842119) gemäss ISO 9001:2008 geprüft.

Jan.-2018

Talbot Lifting & Security Europe Ltd

Director,

Xavier Guyard

User manuals: light stands, R range

Notice d'utilisation : élévateurs gamme R

Bedienungsanleitung: Teleskopstativen, R serie



Carnet de certification - Test book - Prüfbuch

This elevator is a lifting product and as such must be tested under full load and approved by an authorised inspector at least once a year.

Cet élévateur est un produit de levage et doit être à ce titre vérifié et certifié par un test d'épreuve réalisé par un professionnel agréé.


Dieses Stativ ist ein Hebezeug und muss zur jährlichen Sachkundigen-Prüfung (Abnahmeprüfung) vorgeführt werden.

Serial number of the elevator (to be filled by user)

Numéro de l'élévateur (à compléter par l'utilisateur)

Serien-Nummer (auszufüllen vom Benutzer)

Year 1: Factory Certification - Année 1 : Certification usine - Jahr 1: Werksprüfung

Date of first use Date de 1ère mise en service Datum der ersten Inbetriebnahme	Talbot D. E. Les portes de Chambord ZI de Buray 41500 MER	
--	--	---

Year 2 - Année 2 - Jahr 2

Inspector Certificateur Prüfer	Address Adresse Adresse
Date Date Datum	Stamp Tampon Stempel

Year 3 - Année 3 - Jahr 3

Inspector Certificateur Prüfer	Address Adresse Adresse
Date Date Datum	Stamp Tampon Stempel

Year 4 - Année 4 - Jahr 4

Inspector Certificateur Prüfer	Address Adresse Adresse
Date Date Datum	Stamp Tampon Stempel

After 4 year, the elevator and its safety components must be carefully tested and approved by an authorised inspector or by the manufacturer (recommended).

A l'issue de la 4eme année d'utilisation un examen approfondi de l'élévateur et de ses composants de sécurité doit être réalisé par un professionnel certifié (organisme agréé de contrôle) ou par le fabricant (recommandé).

Das Hebezeug muss nach 4 Jahren als Sachverständigen-Prüfung durch einen Gutachter oder dem Hersteller (empfohlen) abgenommen werden.

User manuals: light stands, R range

Notice d'utilisation : élévateurs gamme R

Bedienungsanleitung: Teleskopstativen, R serie



Carnet de certification - Test book - Prüfbuch

Year 5: Inspection and validation - Année 5: Examen et validation - Jahr 5: Prüfung und Bestätigung

Inspector Certificateur Prüfer	Address Adresse Adresse
Date Date Datum	Stamp Tampon Stempel

Year 6 - Année 6 - Jahr 6

Inspector Certificateur Prüfer	Address Adresse Adresse
Date Date Datum	Stamp Tampon Stempel

Year 7 - Année 7 - Jahr 7

Inspector Certificateur Prüfer	Address Adresse Adresse
Date Date Datum	Stamp Tampon Stempel

Year 8 - Année 8 - Jahr 8

Inspector Certificateur Prüfer	Address Adresse Adresse
Date Date Datum	Stamp Tampon Stempel

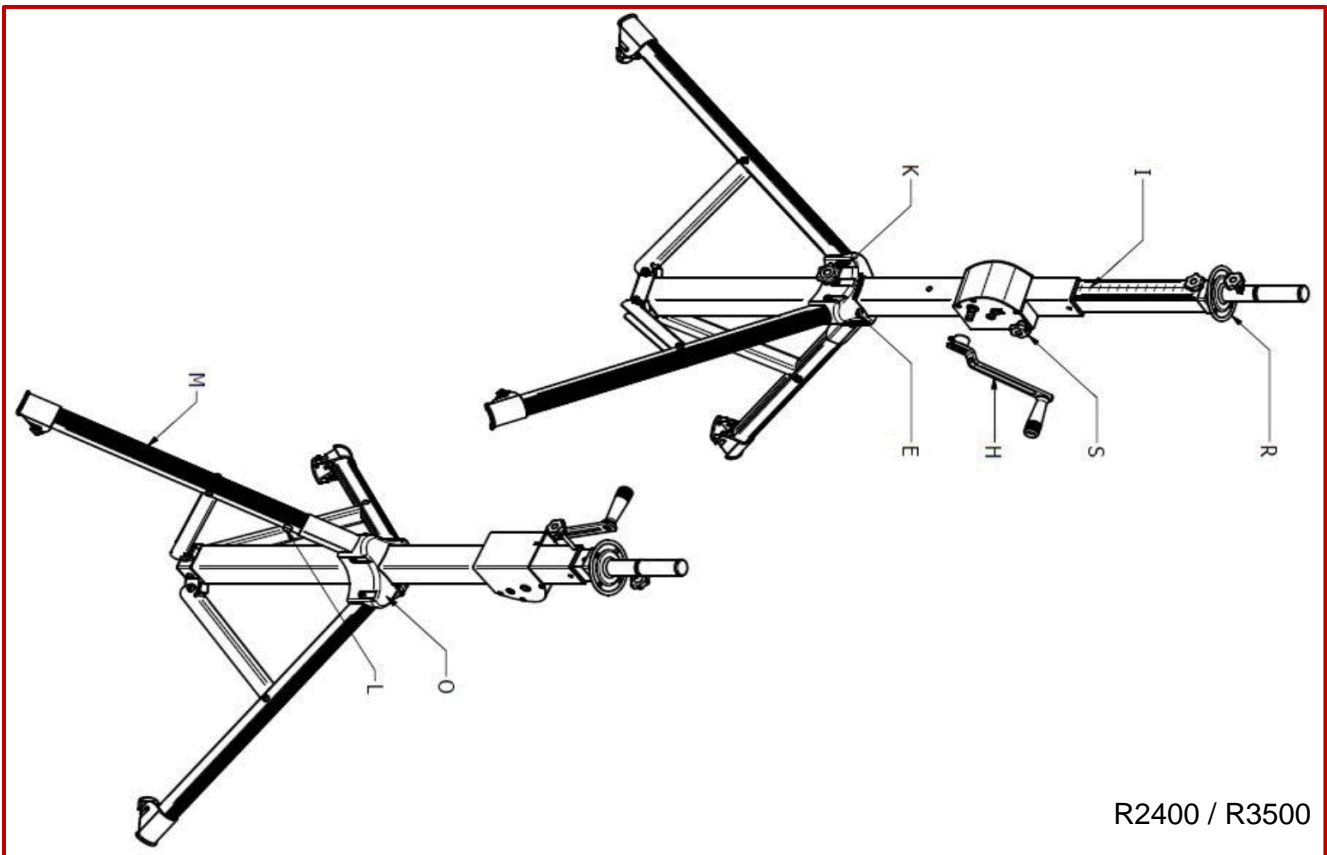
User manuals: light stands, R range

Notice d'utilisation : élévateurs gamme R

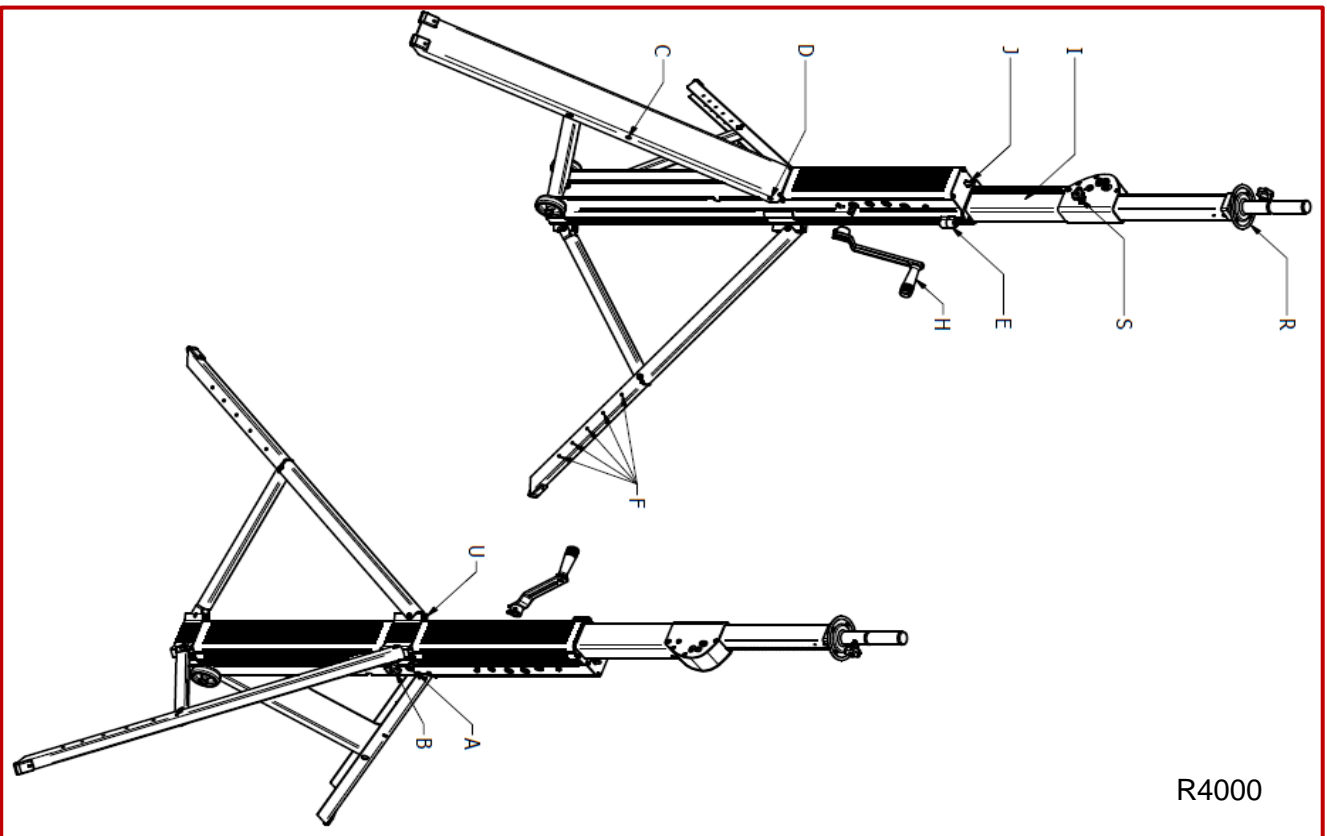
Bedienungsanleitung: Teleskopstativen, R serie



GOLIATH



R2400 / R3500



R4000

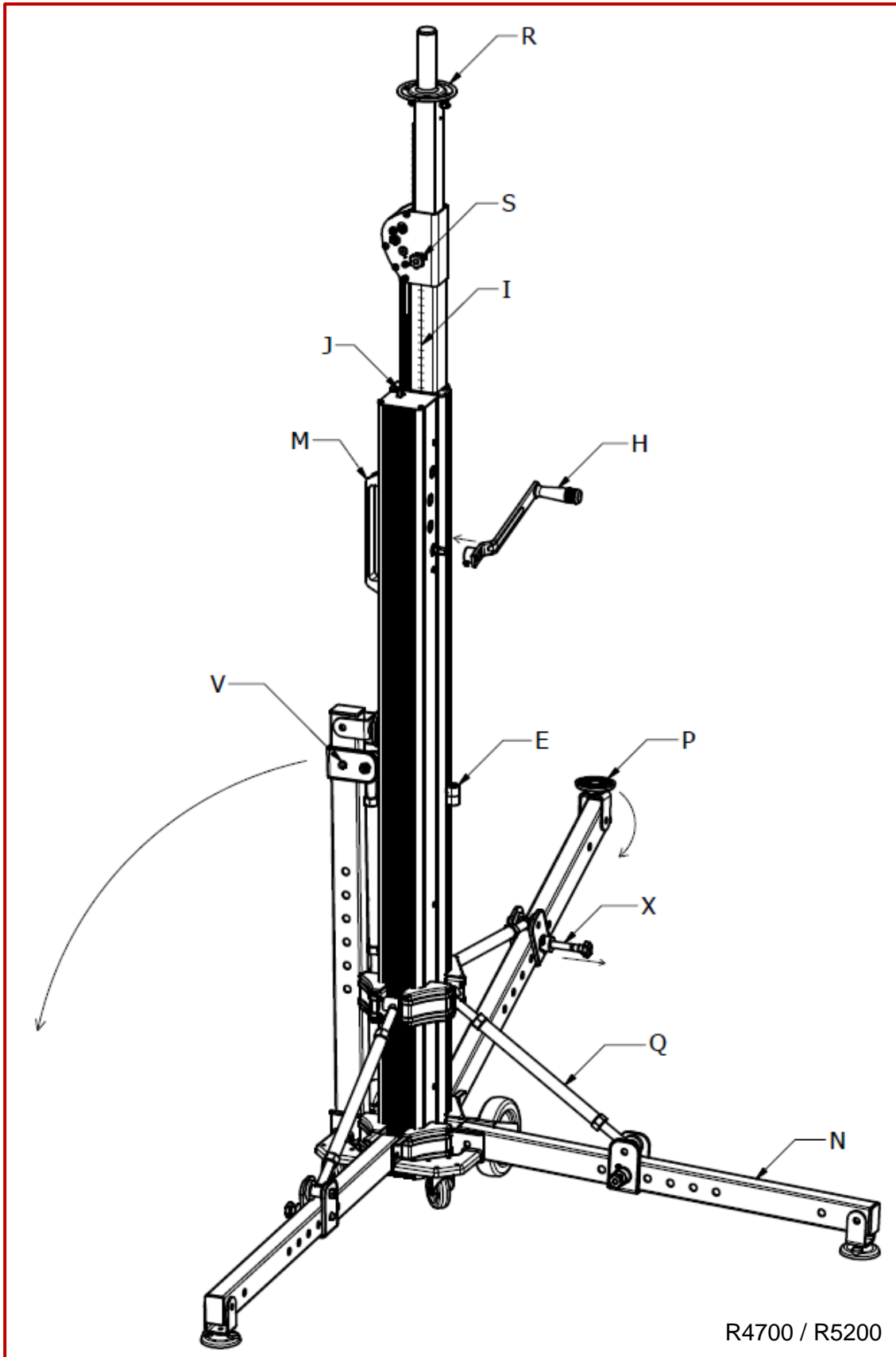
User manuals: light stands, R range

Notice d'utilisation : élévateurs gamme R

Bedienungsanleitung: Teleskopstativen, R serie



GOLIATH



R4700 / R5200