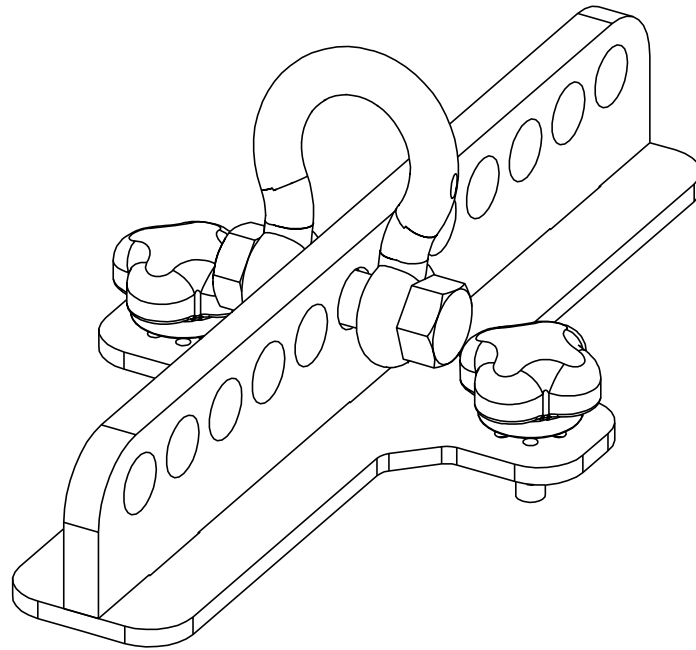
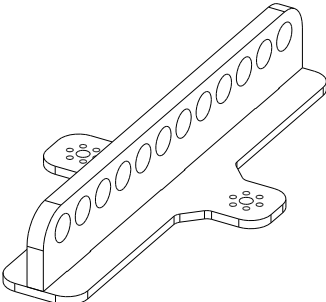
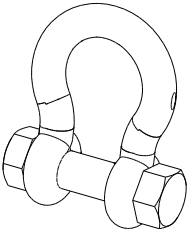
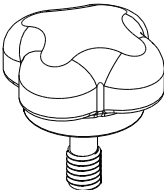
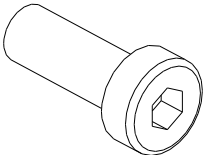


LiftBar for PLUS series

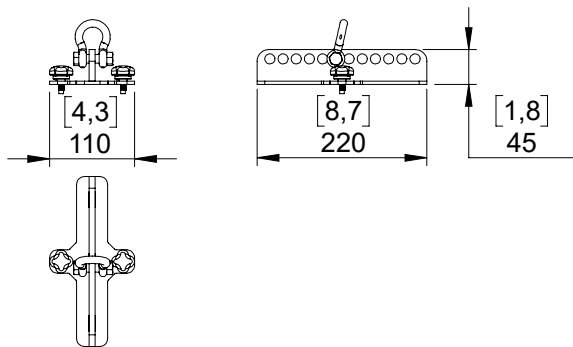


Contents:

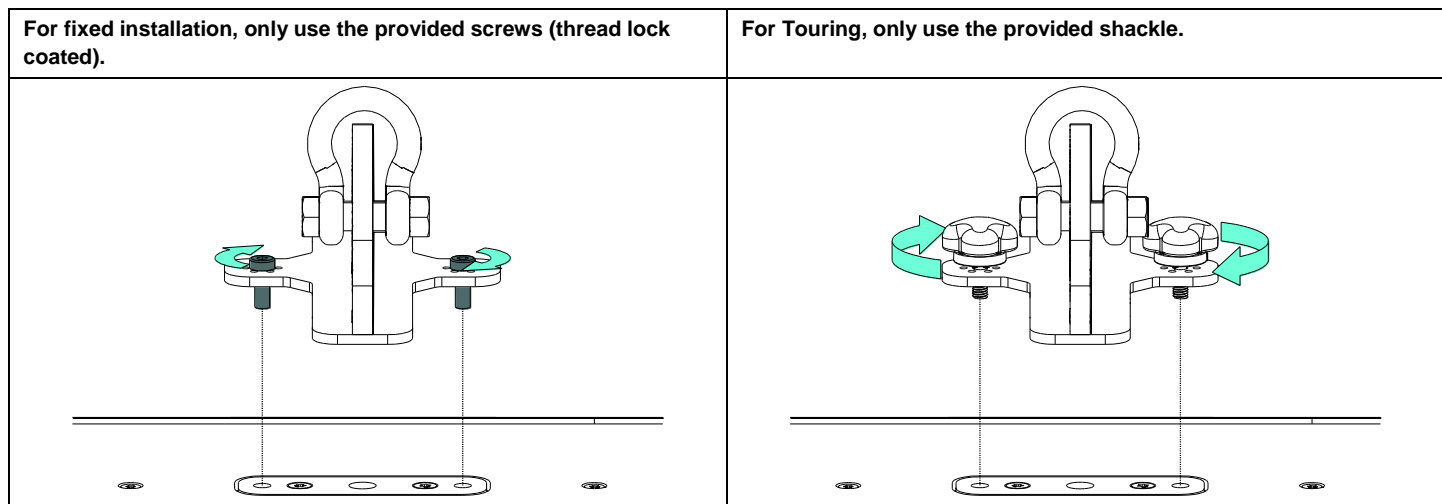
<p>X1</p> 	<p>X1</p> 	<p>X2</p> 	<p>X2</p> 
--	---	--	---

Weight: 1 kg / 2.2 lb

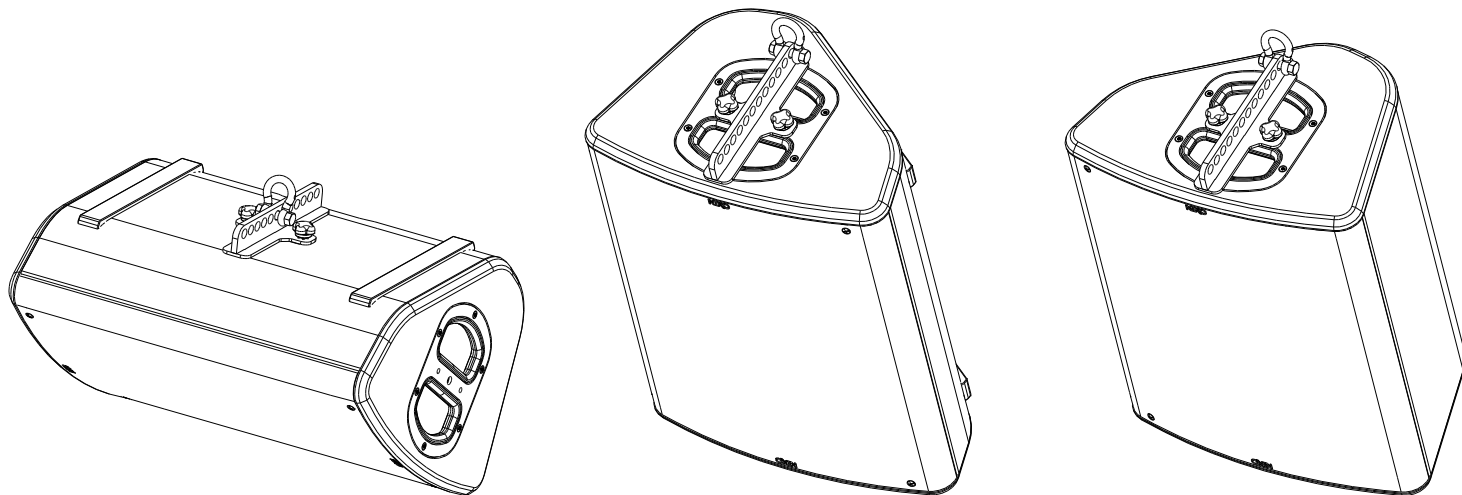
Dimensions:



Use:



Operating locations:



Angles available (+/- 1°)

	Hole from the front of the cabinet											
	1	2	3	4	5	6	7	8	9	10	11	12
H Position	+18	+15	+12	+9	+6	+2	0	-3	-6	-10	-13	-16
V Position	-6	-11	-15	-21	-27	-32	-39	-45	-52	-57	-62	-68

Use shackle model: Alloy Bolt Type Shackle 1 tons

- NEXO cannot accept responsibility for accidents caused by any factor other than defects in this product itself.
- Please check the web site nexo-sa.com for the latest update.



nexo-sa.com
 ZA du Pre de la Dame Jeanne
 60128 PLAILLY - France

- Read this document before using.
- Keep this document.
- Observe all warnings and cautions.

