



PGA98H

Cardioid Condenser Instrument Microphone

The Shure cardioid condenser instrument microphone, PGA98H, user guide.
Version: 1.1 (2022-J)

Table of Contents

PGA98H Cardioid Condenser Instrument Microphone	3	Mounting the Microphone	3
PG Alta Microphones	3	Aiming the Microphone	4
Model Variations	3	Specifications	5
General Rules for Use	3	Accessories	7
Phantom Power	3	Certifications	7

PGA98H

Cardioid Condenser Instrument Microphone

PG Alta Microphones

Congratulations on the purchase of a new Shure PG Alta series microphone. The PG Alta series delivers professional quality audio at an affordable price, with solutions for capturing nearly any source, including voice, acoustic instruments, drums, and amplified electric instruments. Suitable for live and studio applications, PG Alta microphones are built to last, and meet the same rigorous quality testing standards that make all Shure products trustworthy and reliable.

Model Variations

PGA98H-XLR: Standard 3-pin XLR output with integrated belt-clip preamplifier (requires phantom power)

PGA98H-TQG: 4-pin TQG output for use with wireless transmitters

General Rules for Use

- Do not cover any part of the microphone grille with your hand, as this will adversely affect microphone performance.
- Aim the microphone toward the desired sound source (such as the talker, singer, or instrument) and away from unwanted sources.
- Place the microphone as close as practical to the desired sound source.
- Work close to the microphone for extra bass response.
- Use only one microphone to pick up a single sound source.
- For better gain before feedback, use fewer microphones.
- Keep the distance between microphones at least three times the distance from each microphone to its source (“three to one rule”).
- Place microphones as far as possible from reflective surfaces.
- Add a windscreen when using the microphone outdoors.
- Avoid excessive handling to minimize pickup of mechanical noise and vibration.

Phantom Power

All condenser microphones require phantom power to operate. This microphone performs best with a 48 V DC supply (IEC-61938), but it can operate with lower voltages.

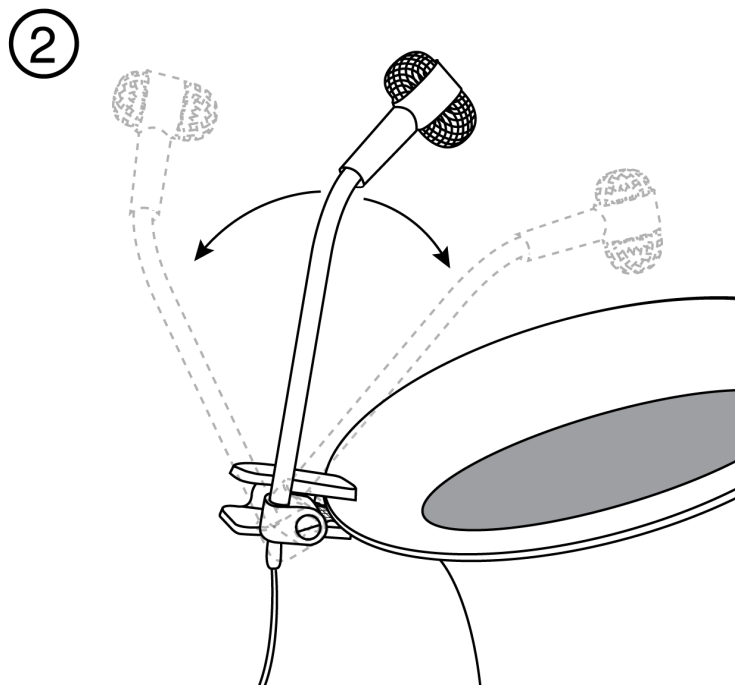
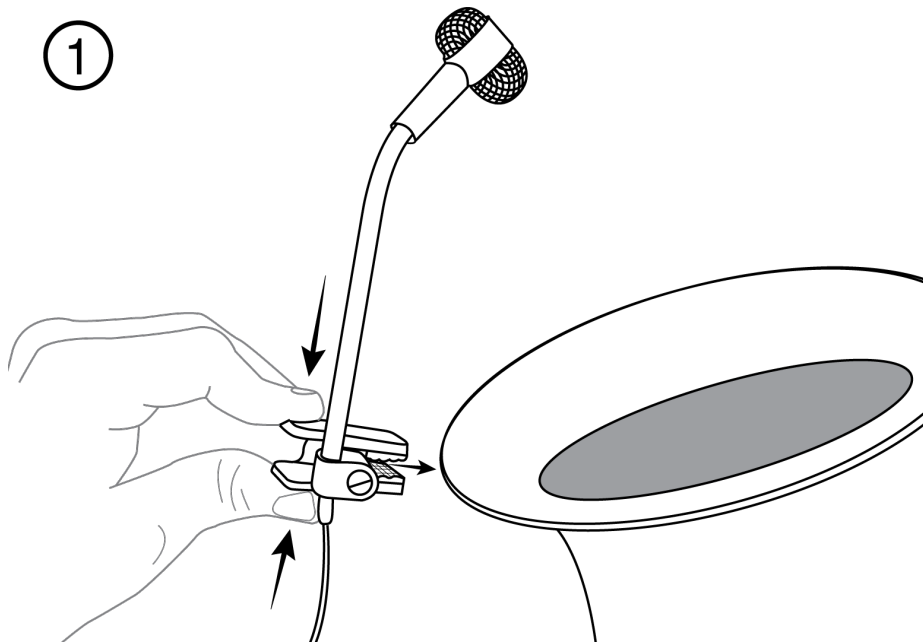
Phantom power is provided by the mixer or audio interface that the microphone is connected to, and requires the use of a **balanced** microphone cable: XLR-to-XLR or XLR-to-TRS. In most cases, there is a switch or button to activate the phantom power. See the user guide for the mixer or interface for additional information.

NOTE: This microphone is compatible with non-Shure bodypacks that have a TQG connector and supply 5V on pin 2.

Mounting the Microphone

Use the integrated clamp to quickly and securely attach the microphone to horns or other instruments.

1. Squeeze the clamp to open it, and attach to an instrument or other object.
2. Aim the microphone by rotating the swivel base and bending the gooseneck.



Aiming the Microphone

Position the microphone with the arrow pointed at the sound source.



Front

Specifications

Type

Electret Condenser

Polar Pattern

Cardioid

Frequency Response

60 to 20,000 Hz

Output Impedance

at 1 kHz, open circuit voltage

PGA98H-XLR	850 Ω
PGA98H-TQG	600 Ω

Sensitivity

at 1 kHz, open circuit voltage

-52 dBV/Pa[1] (2.51 mV)

Maximum SPL

1 kHz at 1% THD, 1 k Ω load, typical

130 dB SPL

Self Noise

A-weighted, typical

27 dB SPL-A

Polarity

PGA98H-XLR	Positive pressure on diaphragm produces positive voltage on pin 2 with respect to pin 3
PGA98H-TQG	Positive pressure on diaphragm produces positive voltage on pin 3 with respect to pin 1

Connector

PGA98H-XLR	Three-pin professional audio (XLR), male
PGA98H-TQG	TA4F

Weight

PGA98H-XLR	245 g (0.5 lbs)
PGA98H-TQG	75 g (0.2 lbs)

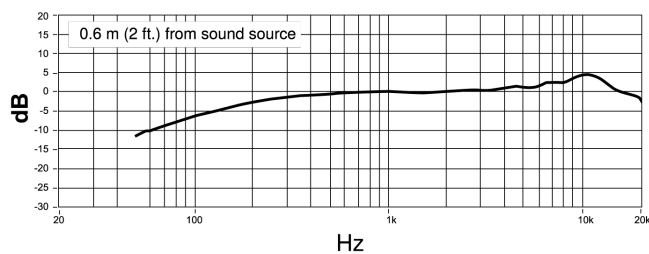
Housing

Cast Zinc

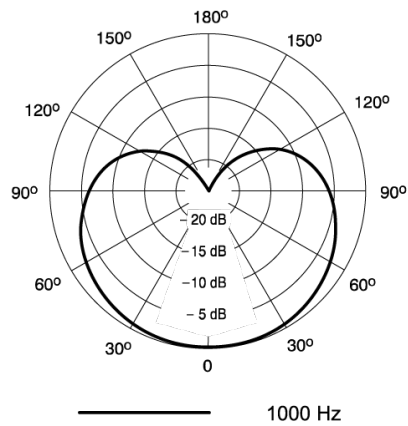
Power Requirements

11 to 52 V DC phantom power (2 mA)

[1] 1 Pa=94 dB SPL



Frequency Response



Polar Pattern

Accessories

Foam windscreen for PGA98H and PGA98D microphones	AP98WS
---	--------

Certifications

This product meets the Essential Requirements of all relevant European directives and is eligible for CE marking.

The CE Declaration of Conformity can be obtained from: www.shure.com/europe/compliance

Authorized European representative:

Shure Europe GmbH

Global Compliance

Jakob-Dieffenbacher-Str. 12

75031 Eppingen, Germany

Phone: +49-7262-92 49 0

Email: info@shure.de

www.shure.com