



Line array element, 2 way passive, with 10" LF and 1.4" HF.

The GEO M10 speaker is a compact high-technology line array.

GEO M10 main features

- Compact line array element that can be stacked or flown, with or without its companion sub the MSUB15.
- Integrated rigging hardware with no loose part and AutoRig™ feature.
- Available in Touring or Installation versions, with custom colour options.
- Incorporates latest NEXO patented technology from the flagship STM series.
- Comprehensive range of versatile, multifunction accessories for deploying the GEO M10 in a wide variety of applications.

The GEO M10 is a new addition to the GEO M range, sharing the same aesthetic design and sonic signature as the other line array in the family, while offering an unprecedented level of flexibility in all mid size applications.

Compact yet powerful

The GEO M10 is only 288mm x 531mm x 355mm (11.3" x 20.9" x 14.0") and weighs 21 kg (47 lbs). Using latest-generation Neodymium drivers, arrays of up to 12 boxes can be used in venues with audiences of up to 1000.

Advanced NEXO technology included

From speakers to waveguide, GEO M10 is packed with important NEXO technical innovations.

The HF uses our patented Hyperbolic Reflective Wavesource (HRW™) technology while the LF benefits from the patented Phase Directivity Device (PDD™).

The enclosure itself uses the same honeycomb structure and urethane co-polymer material as NEXO's flagship STM Series, while the bass port features an improved version of our patented V-shaped profile.

Precise matching directivity

The GEO M10 is available with two vertical dispersions; 12° for the GEO M1012 and 25° for the GEO M1025.

The horizontal directivity is 80° by default for both modules, but by adding an optional patented Configurable Directivity Device (CDD™) it can be changed in seconds to 120°.

And perfect coverage is achievable with a choice of 9 angles between boxes and our acclaimed simulation software: NS-1.

Installation and Touring versions

Further versatility is assured by the availability of two versions.

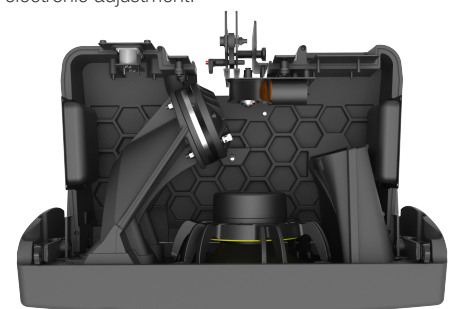
The Touring version uses a magnetically fixed front steel grill with a back mesh. The integrated AutoRig™ system automatically connects the front rigging system when speakers are assembled, with a guided back rigging system for easy angle adjustment. The connection plate uses NL4 connectors.

The Installation version keeps the same acoustic design but comes with a fixed front steel grid covered by an acoustic cloth matching the look of the GEO M6. The rigging system uses safety nuts and the connectivity is made through cable gland and captive two core cables.

Both versions are available in black, white or custom colours on request.

Perfect phase alignment

The GEO M10 shares the same phase response than other NEXO speakers, making it extremely easy to mix with other NEXO systems, e.g for side fill or front fill, or when used with any NEXO subs, without risk of comb filtering or requiring complex electronic adjustment.

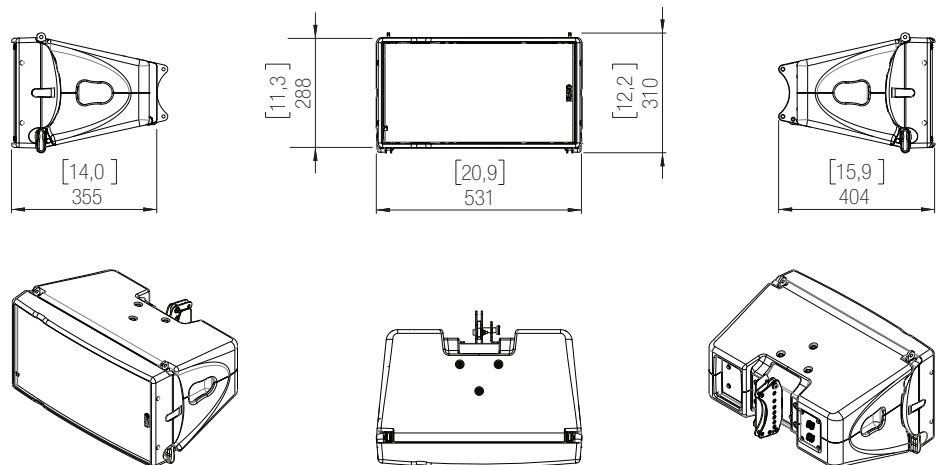


Internal view of the GEO M10 module, showing from left to right the HRW™ waveguide, the Neodymium 10" with PDD™ device and the curved V-shaped port.



NEXO is one of the world's leading sound reinforcement loudspeaker manufacturers. Founded in 1979, the company is dedicated to crafting practical solutions with solid engineering. Each new design begins with a proprietary sophisticated computer simulation process that allows every parameter to be extensively modeled and simulated, leading to breakthrough cost and performance gains. NEXO's comprehensive product line includes loudspeakers, analogue and digital control electronics and amplification; all designed to deliver consistent sound quality and long term reliability for a broad range of applications.

	GEO M1012 (without CDD™)	GEO M1012 (with CDD™)	GEO M1025 (without CDD™)	GEO M1025 (with CDD™)
GEO M10 WITH NEXO TDCONTROLLER SETUP				
Frequency Response @-6 dB	59 Hz to 20 kHz			
Sensitivity 1W@1m	100 dB SPL Nominal			
Peak SPL@1m	136 dB			
Vertical Dispersion	12°		25°	
Horizontal Dispersion	80°	120°	80°	120°
Passive Crossover Frequency	1.3 kHz			
Nominal Impedance	8 Ohms			
Recommended Power	750 Watts			
PRODUCT FEATURES				
LF Component	1 x 10" 8 Ohms long excursion Neodymium driver with PDD™			
HF Component	1 x 1.4" throat driver on a BEA/FEA optimized HR Wavesource™			
Height x Width x Depth	288mm x 531mm x 355 mm (11.3" x 20.9" x 14.0")			
Weight: Net	21 kg (47 lbs)			
Connectors (Touring version)	2 x NL4, 4 poles connectors (1+/- Through, 2+/- GEO M10)			
Connectors (Install version)	2 x Cable gland with 2 cores cables			
Construction	Lightweight Polyurethane Composite			
Fittings	4 x Side handles (2 vertical + 2 horizontal) + back grip			
Front Finish (Touring version)	Steel front grill + back mesh			
Front Finish (Install version)	Acoustic fabric fitted from grill			
Operating temperature range	0°C - 40 °C (32° F - 104° F)			
Storage temperature range	-20 °C - 60 °C (-4 ° F - 140° F)			
SYSTEM OPERATION				
Recommended powering solution	NXAMP4x4 Powered TDcontroller: up to 4 x GEO M10 per channel			
Optional powering solution	NXAMP4x1 Powered TDcontroller: 1 x GEO M10 per channel			
	NXAMP4x1 Powered TDcontroller (Bridged): up to 2 x GEOM10 per channel			
	DTD TDcontroller + DTDAMP4x1.3 Power amplifier: up to 2 x GEO M10 per channel			



NEXO S.A.
 Parc d'Activité
 du Pré de la Dame Jeanne
 B.P. 5
 60128 PLAILLY
 Tel: +33 (0) 3 44 99 00 70
 Fax: +33 (0) 3 44 99 00 30
 e-mail: info@nexo.fr

LIMITED WARRANTY

NEXO loudspeakers and electronics are covered against defects in workmanship or materials for a period of two (2) years from the original date of purchase. At the option of NEXO the defective item will be repaired/replaced with no charge for materials/labour. The item is to be adequately packaged and dispatched, pre-paid, to a NEXO authorised distributor/service centre. Unauthorised repair shall void the warranty. The NEXO warranty does not cover cosmetics or finish and does not apply to any items which in NEXO's opinion have failed due to used abuse, accidents, modifications or any type of misuse. All images and text herein are the property of NEXO SA, and deemed accurate, although specifications are subject to change without notice.