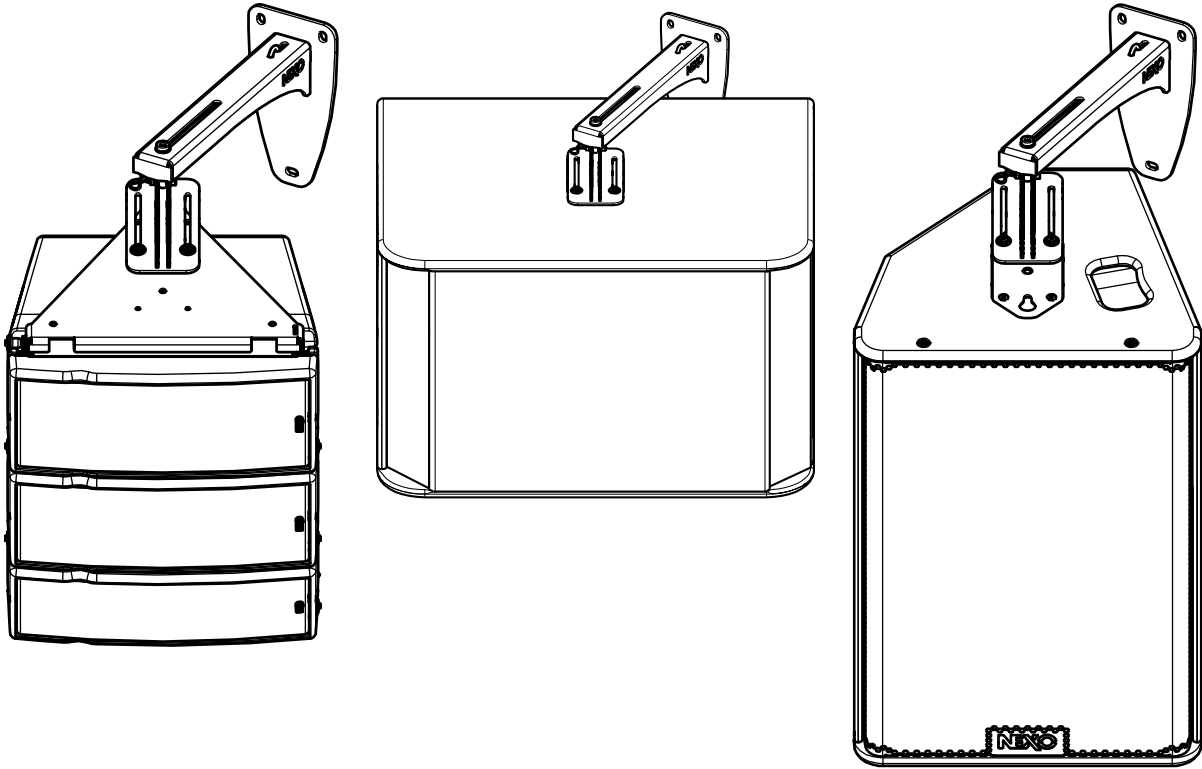
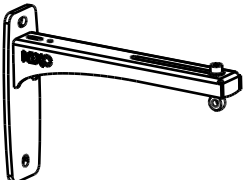







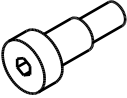




GEOM6 / LS600 / PS15 Wall Bracket

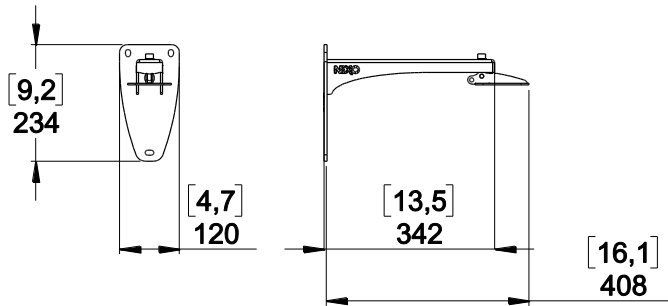


Contents:

| | | | |
|---|---|---|---|
| <p>X1 (Arm)</p>  | <p>X1 (Adapter)</p>  | <p>X1</p>  | |
| <p>X1</p>  | <p>X2</p>  | <p>X1</p>  | <p>X2</p>  |
| <p>X1</p>  | <p>X1</p>  | <p>X1</p>  | <p>X1</p>  |

Weight: 2.8 kg / 6.2 lb

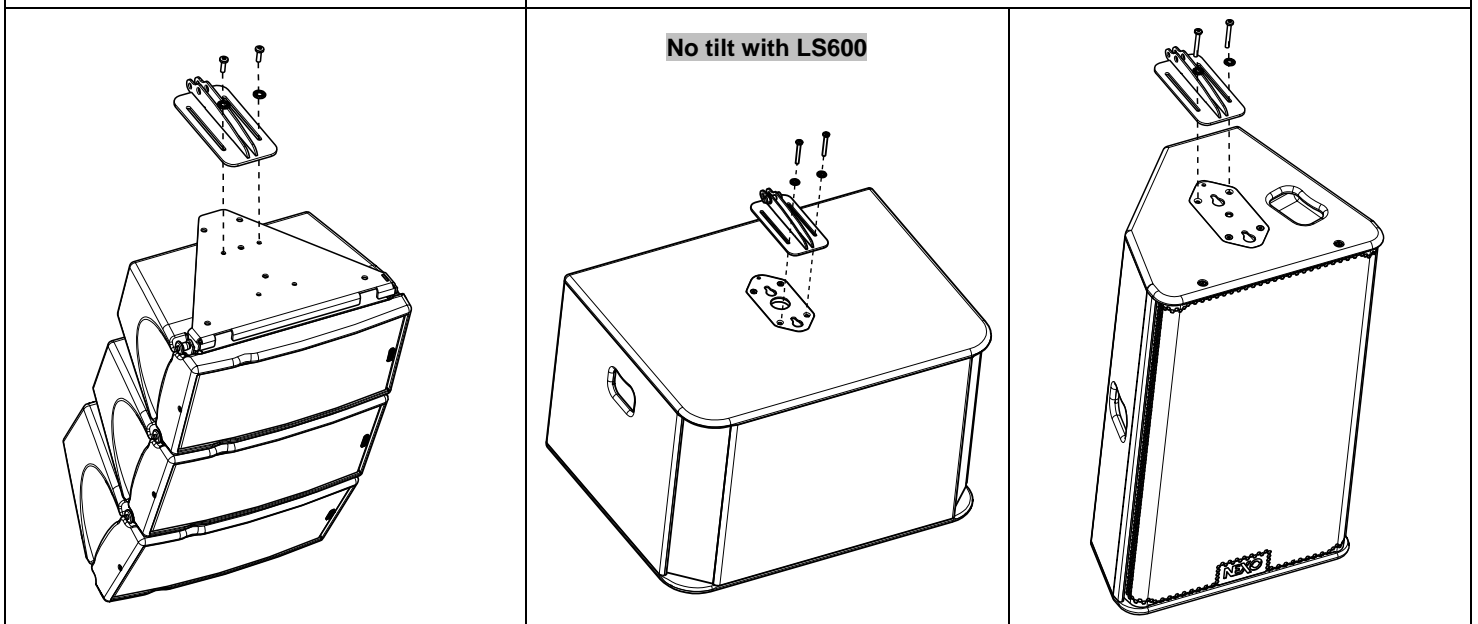
Dimensions:



Adapter mounting

- Connect the VNI-WS15 adapter to the GMT-LBUMP by using the M6x20 provided with the GMT-LBUMP
- Position the M6x20 screws in the oblong hole so that required vertical angle is obtained

- Remove 2 screws from the LS600 / PS15 and use the 2 screws and the 2 washers provided to fix the adapter.
- Please, do not push on the 2 screws while screwing them, to avoid disengaging the bolt that is inside the cabinet.



WARNING: Screws must be secured using Loctite 243™

NEXO

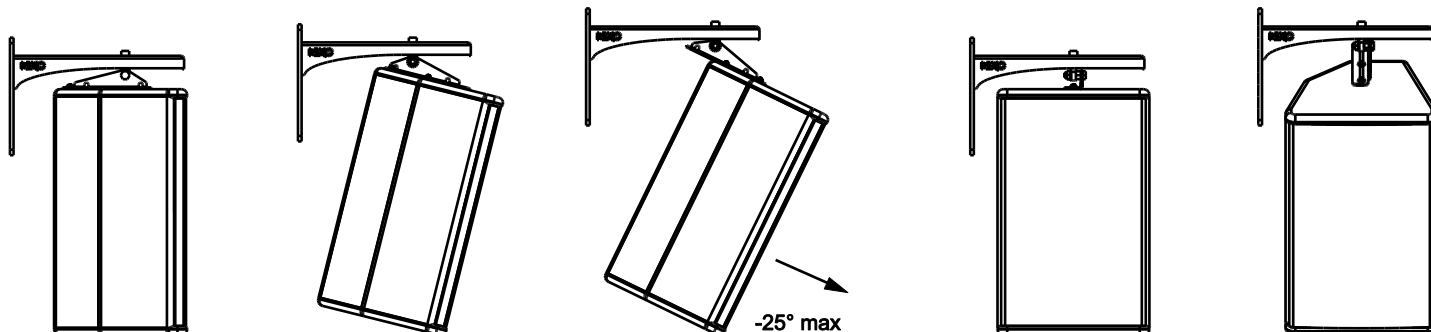
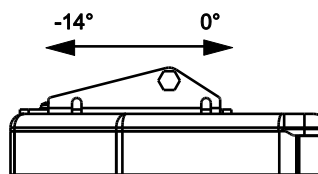
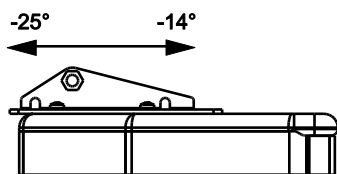
nexo-sa.com

ZA du Pre de la Dame Jeanne
60128 PLAILLY - France

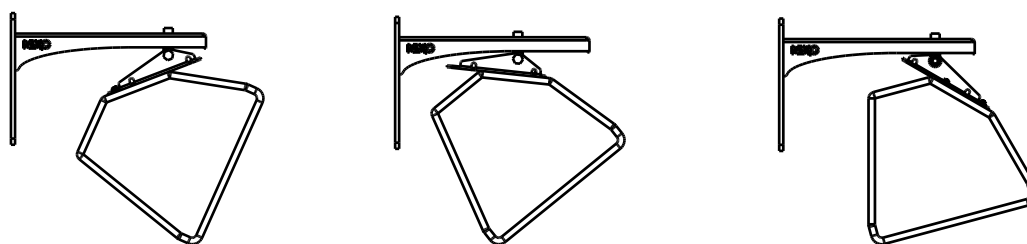
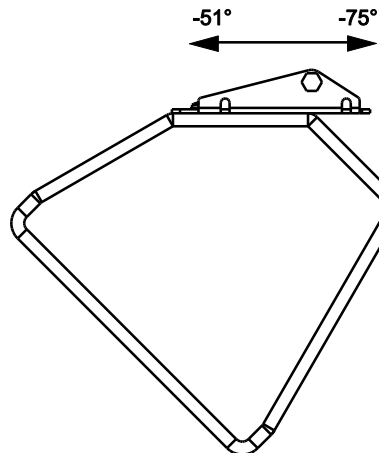
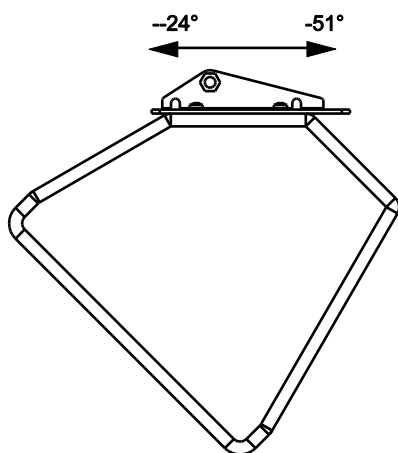
- Read this document before using.
- Keep this document.
- Observe all warnings and cautions.



Tilt in vertical position with PS15



Tilt in horizontal position with PS15



NEXO

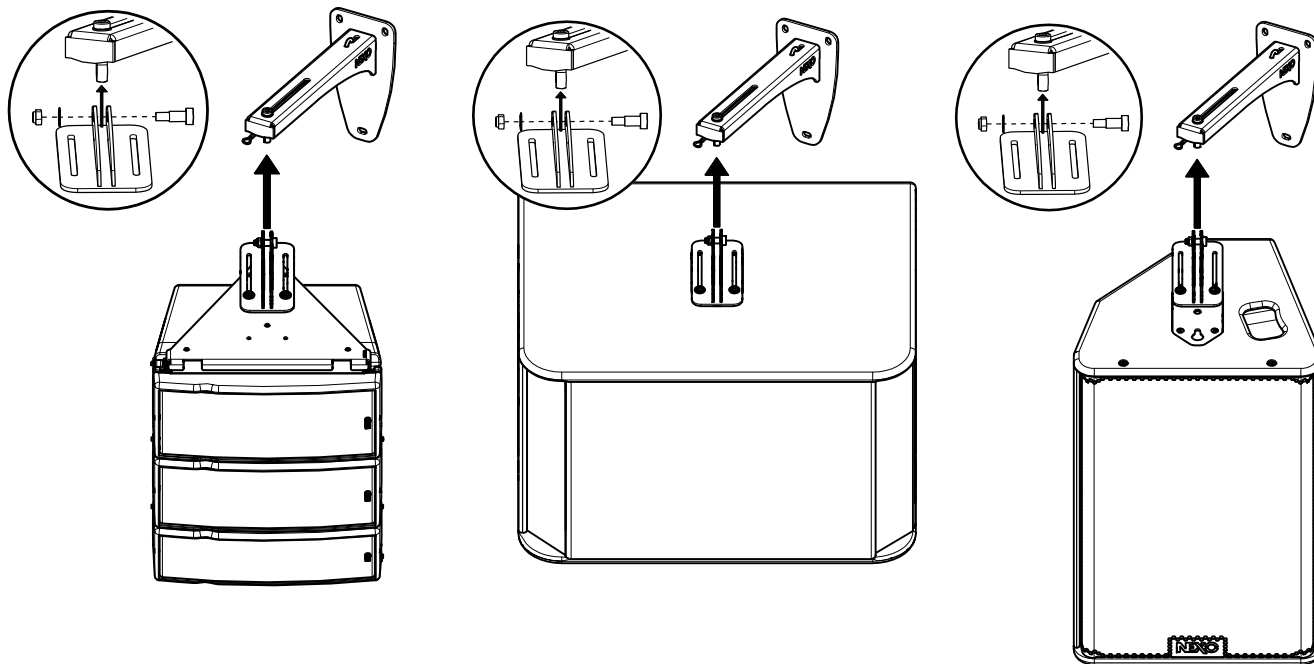
nexo-sa.com
 ZA du Pre de la Dame Jeanne
 60128 PLAILLY - France

- Read this document before using.
- Keep this document.
- Observe all warnings and cautions.



Adapter / Arm mounting

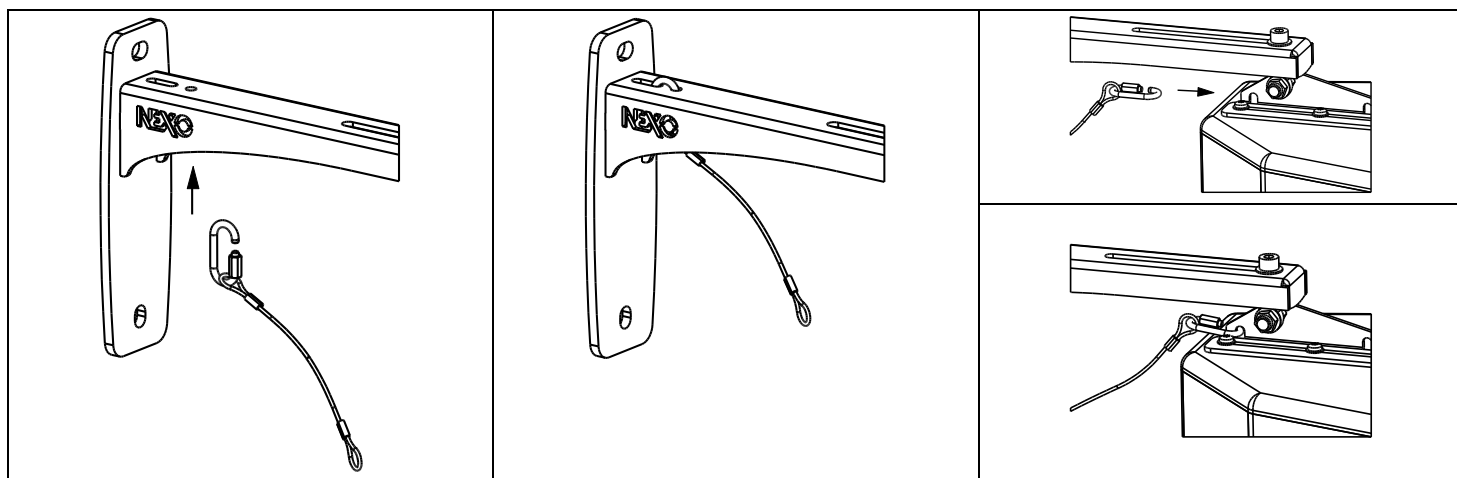
For the wall mount of VNI-WS15, please select screws and mounting location supporting 4 times the system weight.



Tighten well to cancel any float between the arm and the adapter.

Safety device

Use the parts provided



- NEXO cannot accept responsibility for accidents caused by any factor other than defects in this product itself.
- Please check the web site nexo-sa.com for the latest update.

NEXO

nexo-sa.com
ZA du Pre de la Dame Jeanne
60128 PLAILLY - France

- Read this document before using.
- Keep this document.
- Observe all warnings and cautions.

