



Ceramic ST 250 MiniFastFit ICT

Product family description

Ceramic ST MiniFastFit – easy and fast lamp replacement. These lamps can be replaced quickly and easily and consume only a fraction of the energy of an equivalent halogen. What's more, they last many times longer than halogen lamps, so even more costs are saved via fewer lamp replacements. Their compact size and dramatically smaller heat dissipation compared to halogen mean that more compact, lightweight fixtures can be used with fewer cooling features. And finally, their excellent color rendering and homogeneous beam quality create a truly breath-taking experience.

Product Features

- Philips FastFit lamps concept
- Ceramic Discharge Technology

Product Benefits

- Easy and fast lamp replacement
- More compact and lighter fixture designs possible
- Due to 4 times less heat production compared to halogen 1000W, smaller fixtures can be used and less cooling is needed.
- Due to 4 times less power consumption for same light level as halogen 1000W, your energy costs will be 4 times less.
- Attractive cost of ownership, less replacement costs. Lifespan up to 16 times longer than halogen 1000W.
- Discharge lamp of 3200K color temperature with excellent color characteristics and homogeneous beam quality.

Product data	
Order code	912555 00
Full product name	Ceramic ST 250 MiniFastFit ICT
Packing type	1 Carton

PHILIPS

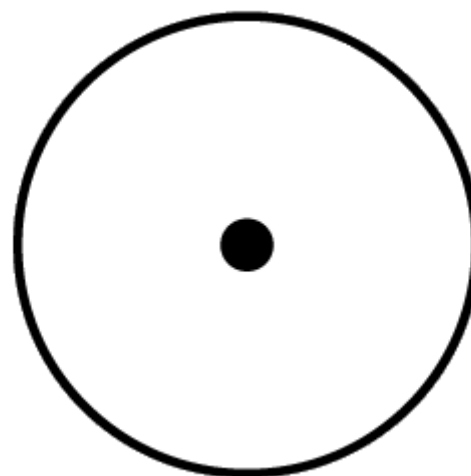
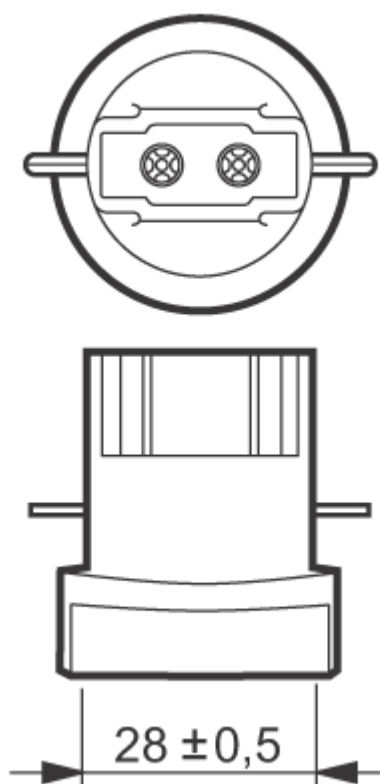
Product data	
Pieces per pack	1
Net weight per piece	0.056 KG
Successor order code	
System Description	MiniFastFit
Cap-Base	PGJX28
Operating Position	any
Main Application	TV/Film/Studio
Additional Information	Lamp
Packing Type	ICT [1 Carton]
Packing Configuration	16
Life to 50% failures	4000 hr [nom]
Lamp Wattage	250W
Technical Type	250
Lamp Voltage	85 V [min] 100 V [nom] 115 V [max]
Lamp Current	2.6 A [nom]
Color Rendering Index	90 Ra8 [nom]
Color Temperature Technical	3200 K [nom]
Chromaticity Coordinate X	412 - [nom]
Chromaticity Coordinate Y	398 - [nom]
Luminous Flux Lamp	21000 Lm [min] 23000 Lm [nom]
Luminous Efficacy Lamp	92 Lm/W [nom]
Overall Length C	126 mm [max]
Diameter D	23 mm [max]
Light Center Length L	67.8 mm [max]
Arc Length O	8 mm [nom]
Pinch Temperature	350 C [max]
Bulb Temperature	650 C [max]



Ceramic ST 250 MiniFastFit

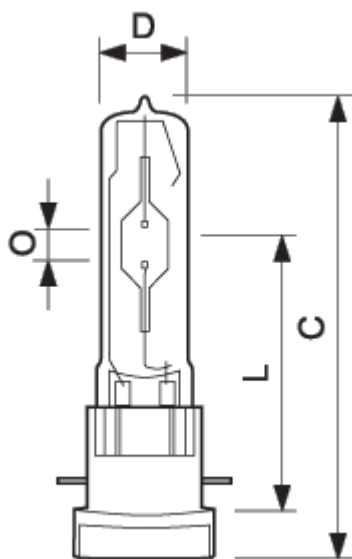
Ceramic ST MiniFastFit

Ceramic ST 250 MiniFastFit



Operating Position any

Cap-Base PGJX28



Ceramic ST MiniFastFit
Ceramic ST PGJX28

	C	C	D	D	L	L
Full product name	Max	Max	Max	Max	Max	Max
Ceramic ST 250 MiniFastFit ICT	126	126	23	23	67.8	67.8

	O	O
Full product name	Nom	Nom
Ceramic ST 250 MiniFastFit ICT	8	8



©2009 Koninklijke Philips Electronics N.V.

All rights reserved. Reproduction in whole or in part is prohibited without the prior written consent of the copyright owner. The information presented in this document does not form part of any quotation or contract, is believed to be accurate and reliable and may be changed without notice. No liability will be accepted by the publisher for any consequence of its use. Publication thereof does not convey nor imply any license under patent- or other industrial or intellectual property rights.

Document order number : 0000 000 00000