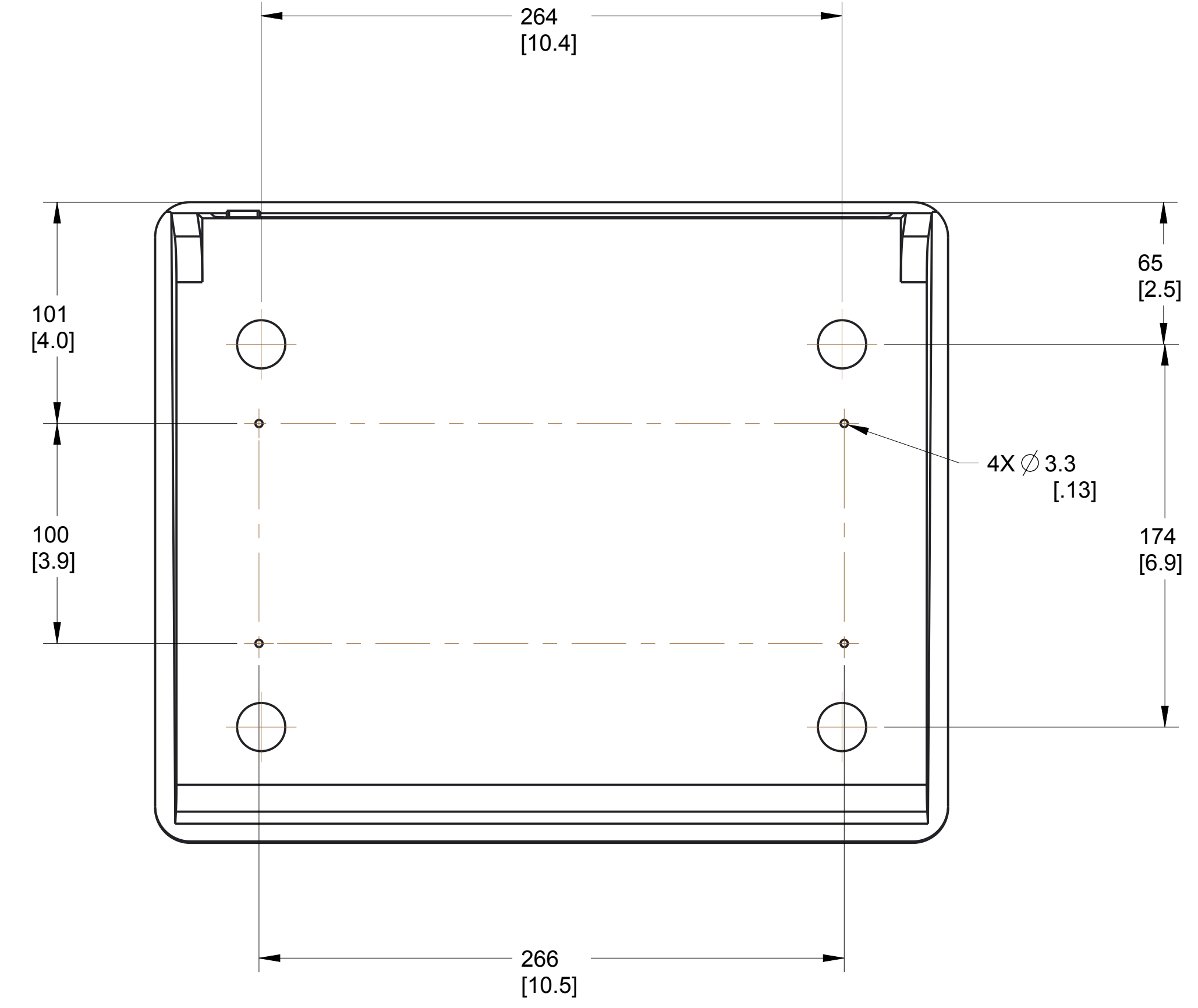
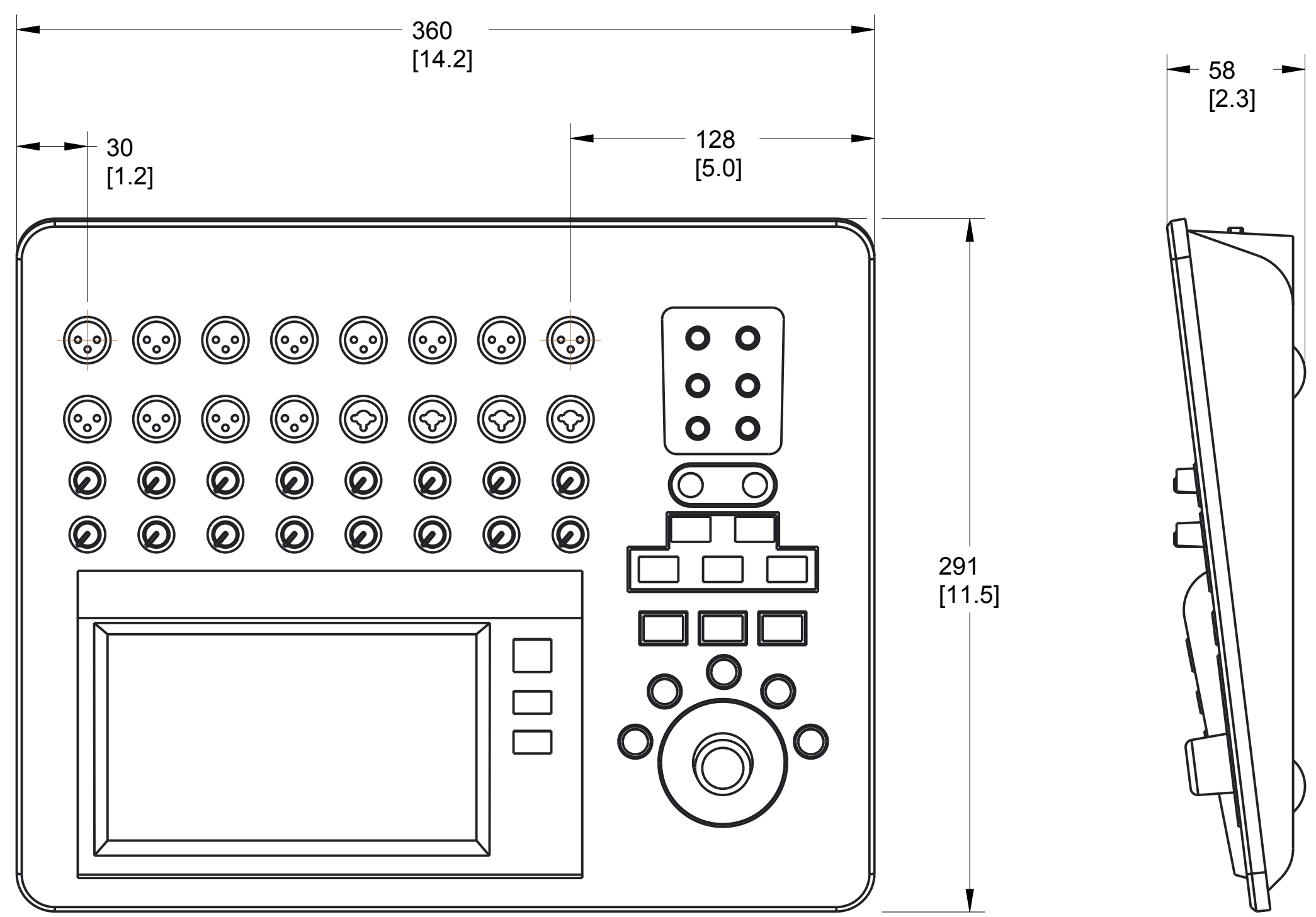
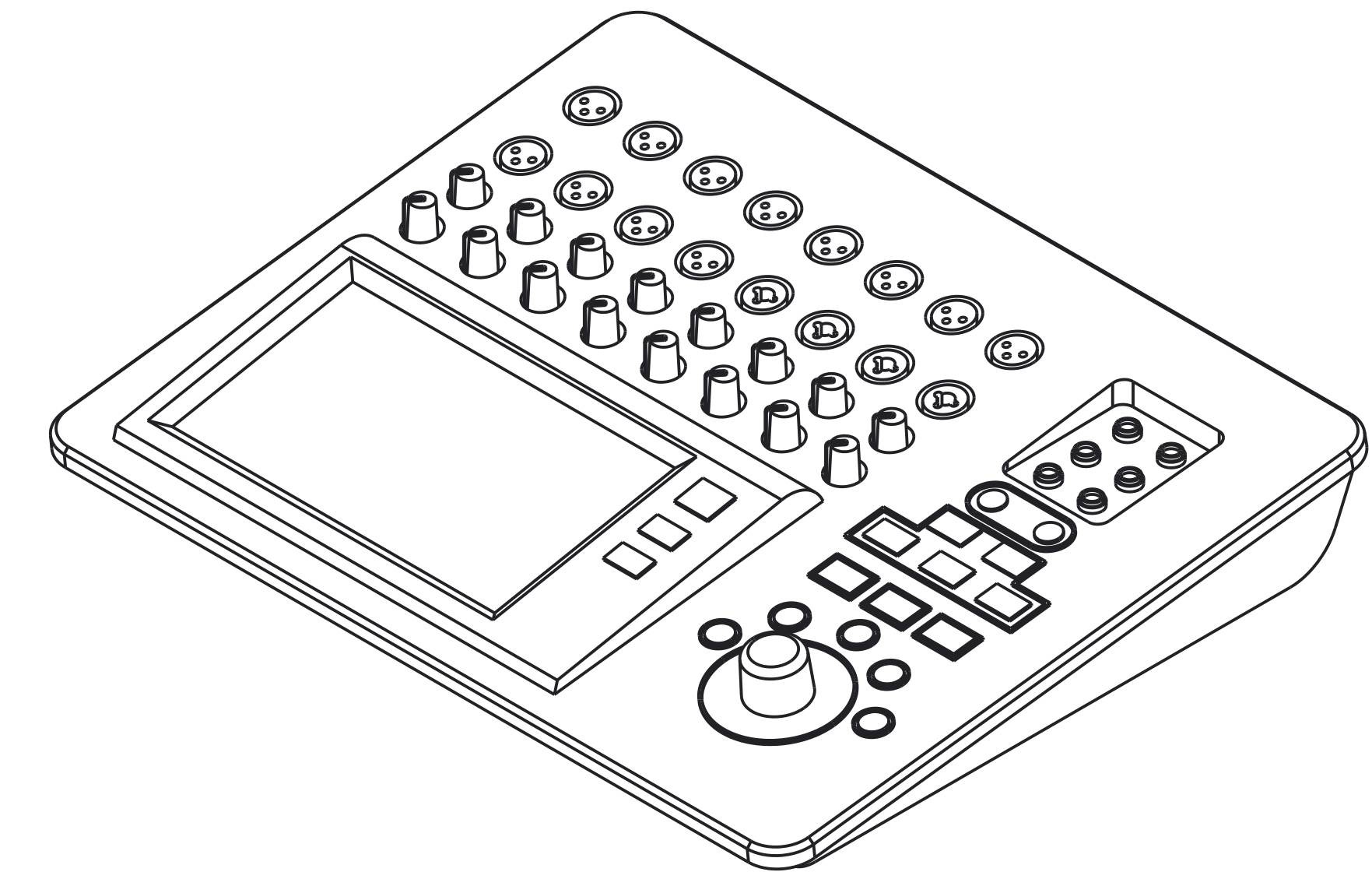
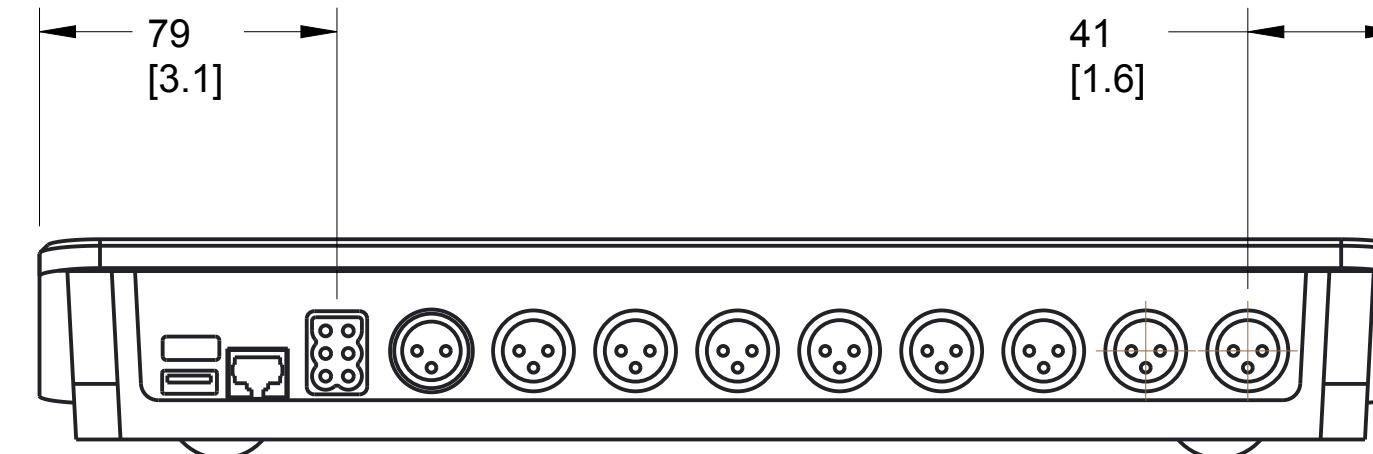


THIS DOCUMENT CONTAINS PROPRIETARY INFORMATION WHICH IS THE PROPERTY OF QSC AUDIO PRODUCTS. THAT MAY NOT BE DISCLOSED, REPRODUCED OR USED WITHOUT EXPRESS WRITTEN CONSENT FROM QSC AUDIO PRODUCTS.

REVISIONS			
REV	DESCRIPTION	BY	DATE
A	RELEASE FOR SALES AND MARKETING	SS	20-MAR-15



2. TOLERANCES (MM): X ± 3, ANGLES: ± 1°.
1. NET WEIGHT APPROX. 1.95 KG (4.3 LBS)

NOTE: UNLESS OTHERWISE SPECIFIED

UNLESS OTHERWISE SPECIFIED DIMENSIONS IN INCHES (MM) TOLERANCES ARE: DECIMALS DECIMALS ANGLES XX± .02(5) XXX± .01(25) ± 1/2 DEBURR EDGES .010 [.25] R MAX	APPROVALS	DATE (DD-MMM-YY)	QSC AUDIO PRODUCTS, LLC 1675 MACARTHUR BOULEVARD COSTA MESA, CA 92626 CHASSIS ASSY, MIXER, TOUCHMIX-16	
	DRAWN ENG. SERVICES	20-MAR-15		
	CHECKED S. STASIAK	20-MAR-15		
	MFG ENG	-		
MATERIAL	-	-	QA CHECK	-
FINISH	-	-	DRAWING INFO:	FG-610300-2D.1.2
MODEL INFO:		FG-610300-3D.1.2	SCALE:	0.500 DO NOT SCALE DRAWING
SIZE	CAGE CODE	DRAWING NO.	REV	
D	00PW4	FG-610300-2D	A	
SHEET			1 OF 1	